



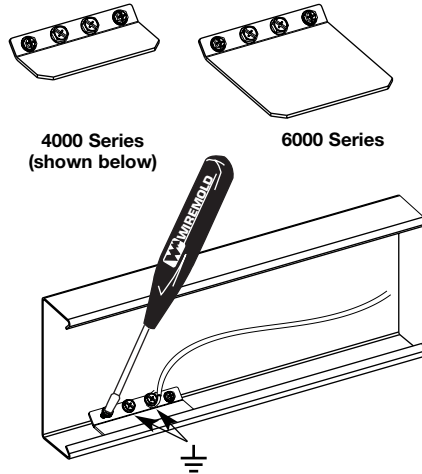
4009/6009 Grounding Clip

INSTALLATION INSTRUCTIONS

Installation Instruction No.: 42604 – January 2004

Wiremold Electrical Systems conform to and should be installed and properly grounded in compliance with requirements of the current National Electrical Code, Canadian Electrical Code or codes administered by local authorities.

All electrical products may represent possible shock or fire hazard if improperly installed or used. Wiremold electrical products are UL Listed to U.S. and Canadian safety standards, made for interior use only, and should be installed in conformance with current local and/or the National Electrical Code.



© Copyright 2004 The Wiremold Company All Rights Reserved



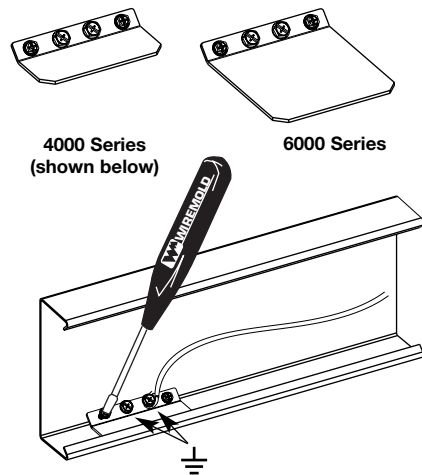
4009/6009 Grounding Clip

INSTALLATION INSTRUCTIONS

Installation Instruction No.: 42604 – January 2004

Wiremold Electrical Systems conform to and should be installed and properly grounded in compliance with requirements of the current National Electrical Code, Canadian Electrical Code or codes administered by local authorities.

All electrical products may represent possible shock or fire hazard if improperly installed or used. Wiremold electrical products are UL Listed to U.S. and Canadian safety standards, made for interior use only, and should be installed in conformance with current local and/or the National Electrical Code.



© Copyright 2004 The Wiremold Company All Rights Reserved