



V2444-2LS

2-Gang Device Box

INSTALLATION INSTRUCTIONS

Wiremold Electrical Systems conform to and should be installed and properly grounded in compliance with requirements of the current National Electrical Code, Canadian Electrical Code or codes administered by local authorities.

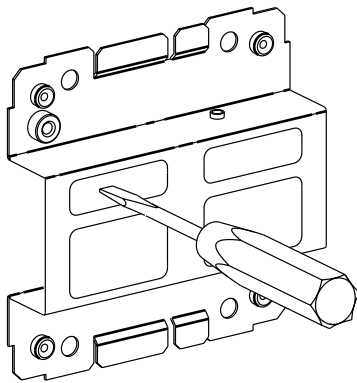
All electrical products may represent possible shock or fire hazard if improperly installed or used. Wiremold electrical products are cUL Listed, made for interior use only, and should be installed in conformance with current local and/or the National Electrical Code.

Use #8 (5/16" [7.9mm] head size) flat head fastener or equivalent to mount base to surface.

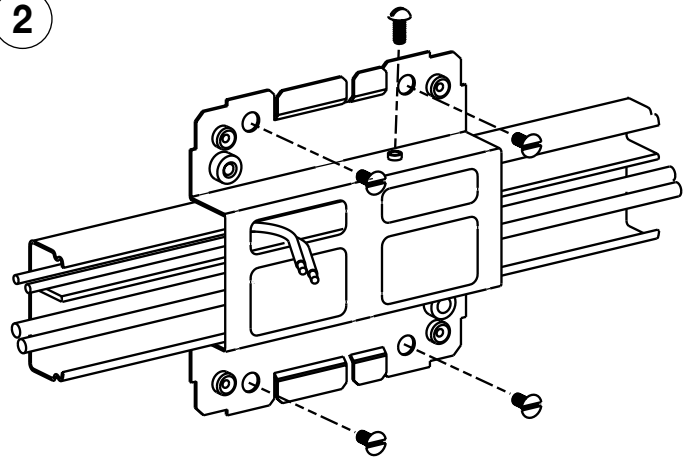
Utiliser une attache à tête plate de calibre 8 (tête de [7.9mm] 5/16" po.) ou une fixation équivalent pour assujettir le tube guide-fils et les raccords à la surface de montage.

Use un sujetador de cabeza plana No. 8 (tamaño de cabeza: [7.9mm] 5/16" de pulgada) o su equivalente para unir la canalita y los accesorios a la superficie de montaje.

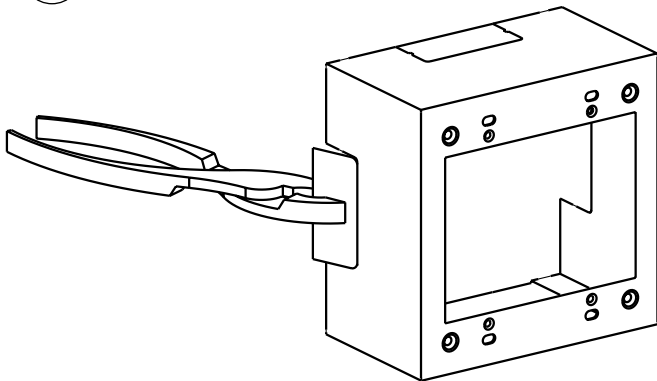
1



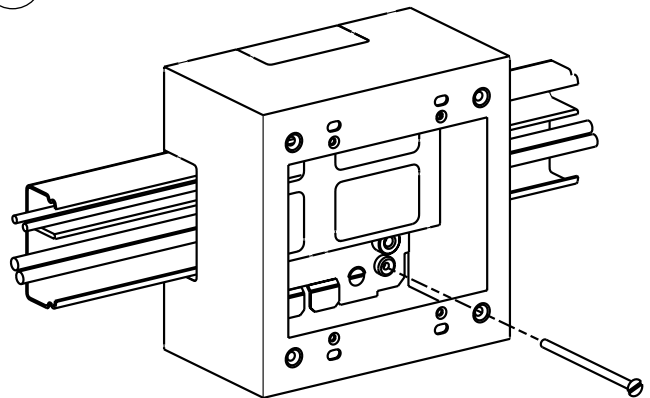
2



3



4



The Wiremold Company
U.S. and International:
60 Woodlawn Street • West Hartford, CT 06110
1-800-621-0049 • FAX 860-232-2062 • Outside U.S. 860-233-6251
Canada:
850 Gartshore Street • Fergus, Ontario N1M 2W8
1-800-741-7957 • FAX 519-843-5980

