

# WIREMOLD



## WAPENCL, WAPENCL-24-24-4 WIRELESS ACCESS POINT CEILING ENCLOSURES INSTALLATION INSTRUCTIONS

Installation Instruction No.: INS-WMC-017R1 – Updated December 2005

Wiremold / Legrand Electrical Systems conform to and should be installed and properly grounded in compliance with requirements of the current National Electrical Code, Canadian Electrical Code or codes administered by local authorities.

All electrical products may represent possible shock or fire hazard if improperly installed or used. Wiremold / Legrand electrical products are UL Listed to U.S. and Canadian safety standards, made for interior use only, and should be installed in conformance with current local and/or the National Electrical Code.

**IMPORTANT: Please read all instructions before beginning.**

**Products Covered: WAPENCL, WAPENCL-24-24-4**

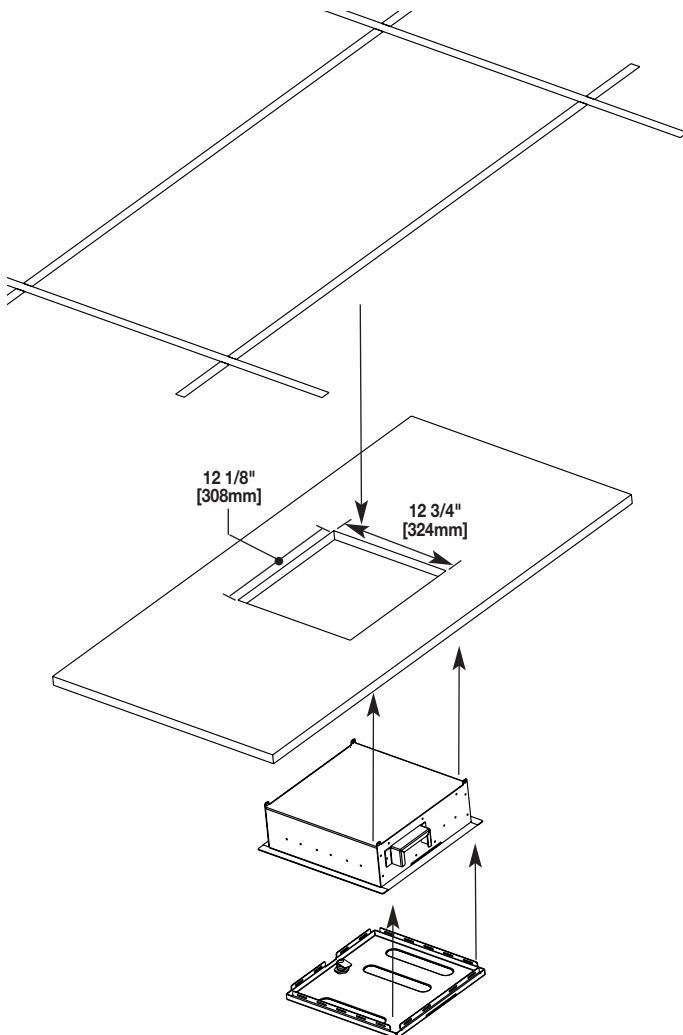
**NOTES:** Ensure that the Wireless Access Point Box is hung from the building structure according to local codes and regulations.

The maximum weight of the Wireless Access Point unit shall not exceed 20 lbs.

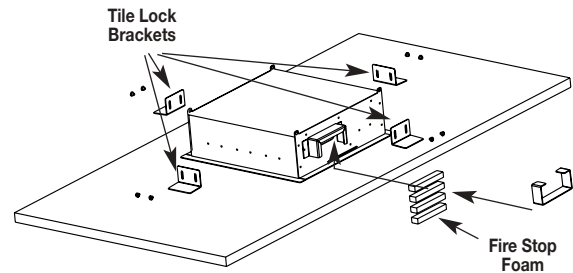
WAPENCL and WAPENCL-24-24-4 comply with Article 800 of the NEC and the applicable sections of the Canadian Electrical Code.

### To Install WAPENCL Wireless Access Point Ceiling Enclosure:

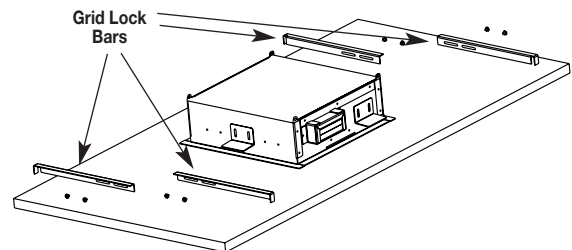
1. Locate tile and remove from ceiling grid. Remove cover from WAPENCL Wireless Access Point Ceiling Enclosure. Cut 12 1/8" x 12 3/4" [308mm x 324mm] opening centered on ceiling tile.



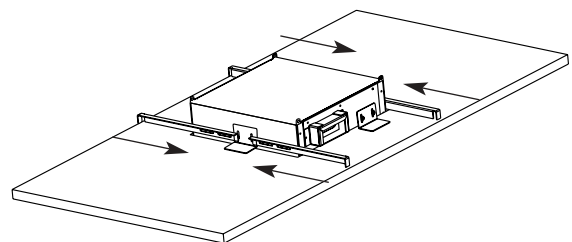
2. Install fire stop foam (included) into box. Install box into tile by pushing box through tile opening (see Step 1) and securing the box to the tile by assembling the four Tile Lock Brackets.



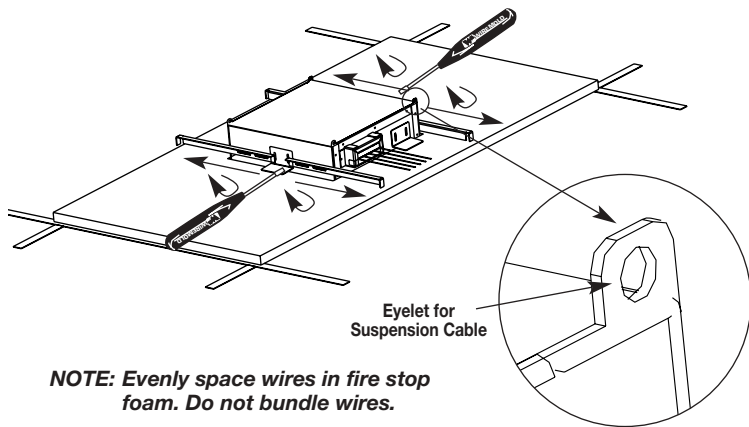
3. Loosely secure Grid Lock Bars to box.



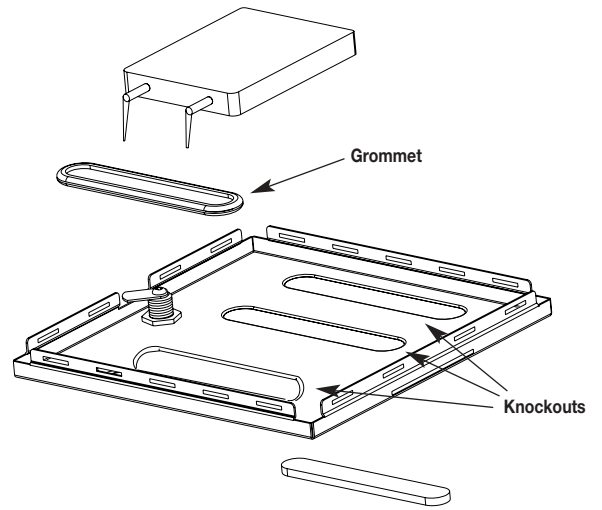
4. Slide Grid Lock Bars to the inward position.



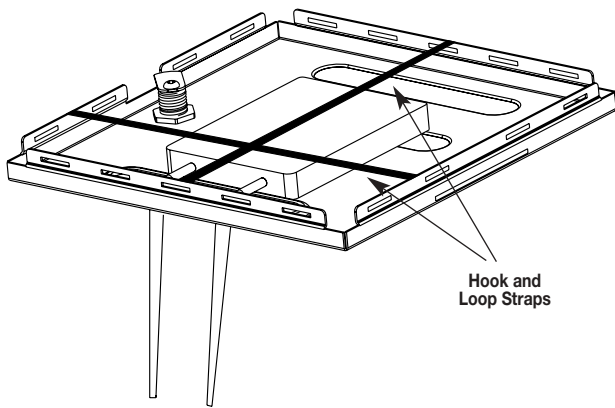
5. Remove two adjacent tiles from ceiling. Install ceiling tile that contains Wireless Access Point Box into ceiling grid. Adjust Grid Lock Bars to attach to ceiling grid and tighten screws to secure in place. Install wire into Wireless Access Point Box by routing cables through the fire stop foam. Reinstall all ceiling tiles.



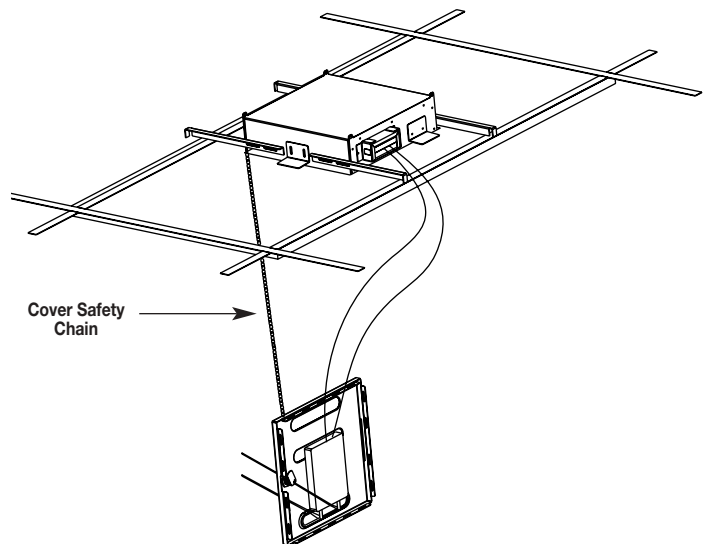
6. Determine orientation of antenna exit location and remove desired knockout from cover. Install rubber grommet around knockout opening.



7. Secure Wireless Access Point to cover using provided hook and loop straps routed through the desired attachment holes.



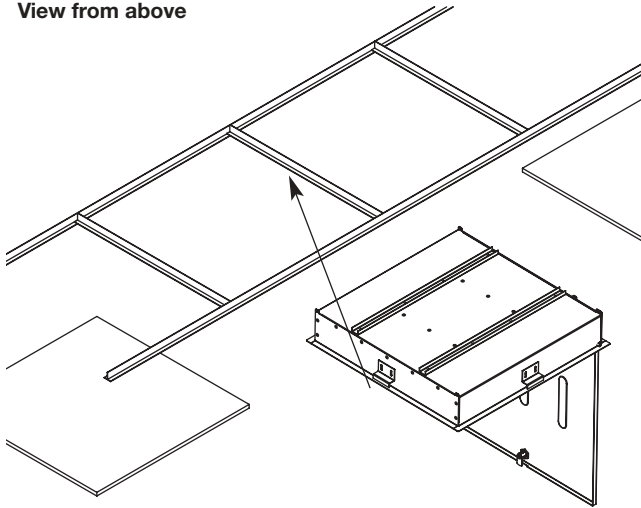
8. Attach wires to Wireless Access Point. Attach safety chain from cover to Wireless Access Point Box. Close and lock cover.



## To Install WAPENCL-24-24-4 Wireless Access Point Ceiling Enclosure:

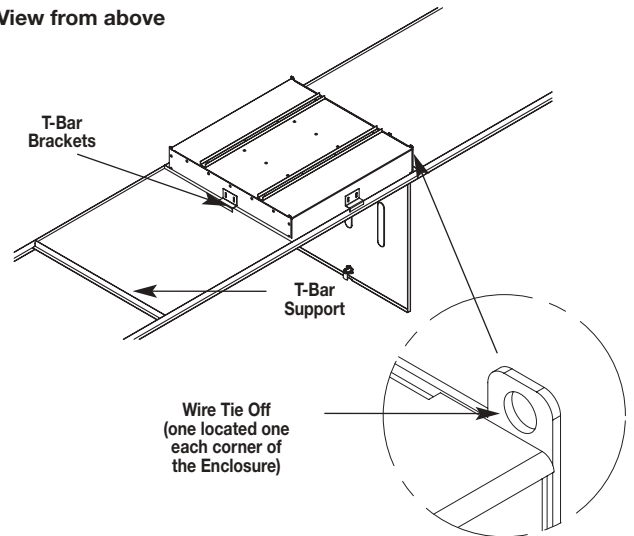
1. Remove 24" x 24" [609mm x 609mm] ceiling tile at desired location, or remove 24" x 48" [609mm x 1219mm] tile and cut to 24" x 24" [1219mm x 1219mm]. Insert Enclosure into grid opening, place Enclosure Flanges on T-Bar grid.

View from above



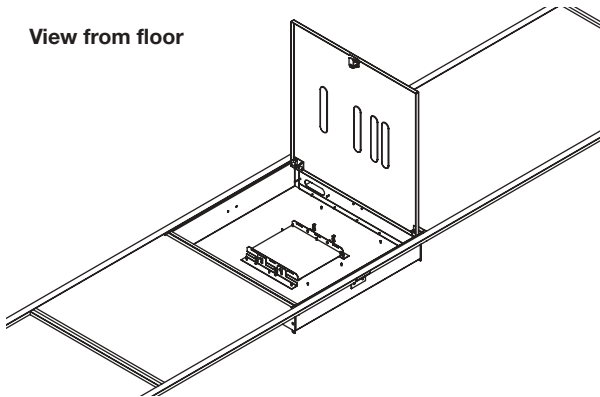
2. Adjust the four T-Bar Brackets to fit over the ceiling T-Bars, tighten screws of each Bracket in place. Insert additional (if required) T-Bar Support on cut tile side of Enclosure. Secure Enclosure from four wire tie locations to building ceiling structure (wire not included).

View from above



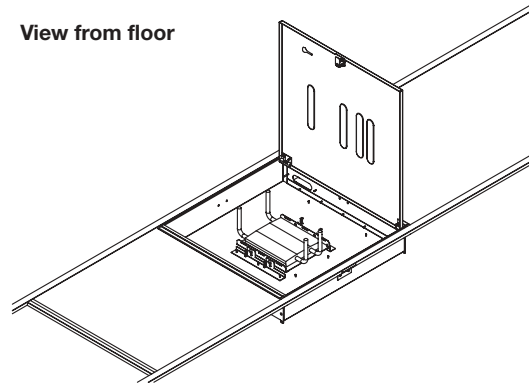
3. Remove fire stop material. Feed cables into Enclosure through Fire Stop Bracket. Replace fire stop material once Cables are fed (provide enough Cable for adjustments).

View from floor



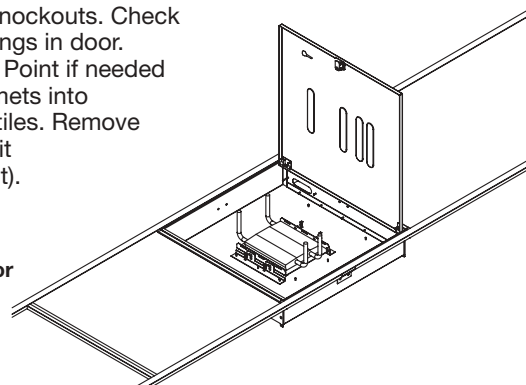
4. Install Wireless Access Point onto the adjustable base using velcro straps provided. Connect all Cables to Wireless Access Point and adjust unit to desired depth. Tighten wing nuts to secure unit in place.

View from floor



5. Remove required Antenna knockouts. Check Antenna position with openings in door. Reposition Wireless Access Point if needed with openings. Install grommets into openings. Re-install ceiling tiles. Remove key, close door, and lock unit (key is taped to inside of unit).

View from floor



---

# **WIREMOLD**



**Wiremold / Legrand**

*U.S. and International:*

60 Woodlawn Street • West Hartford, CT 06110

1-800-621-0049 • FAX 860-232-2062 • Outside U.S. 860-233-6251

*Canada:*

570 Applewood Crescent • Vaughan, Ontario L4K 4B4

1-800-723-5175 • FAX 905-738-9721

