



Wiremold

NME1250AP

Nonmetallic Wireless Access Point Mounting Enclosure

INSTALLATION INSTRUCTIONS

Installation Instruction No.: ED1327R1 - Updated July 2010

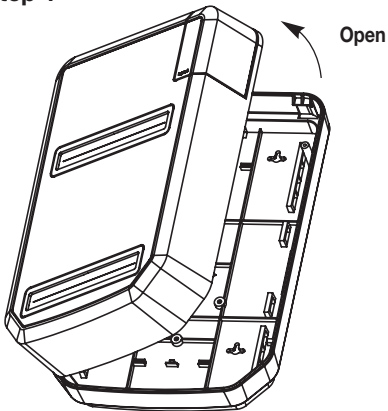
Legrand/Wiremold electrical systems conform to and should be properly grounded in compliance with requirements of the current National Electrical Code or codes administered by local authorities.

All electrical products may present a possible shock or fire hazard if improperly installed or used. Legrand/Wiremold electrical products may bear the mark of a Nationally Recognized Testing Laboratory (NRTL) and should be installed in conformance with current local and/or the National Electrical Code.

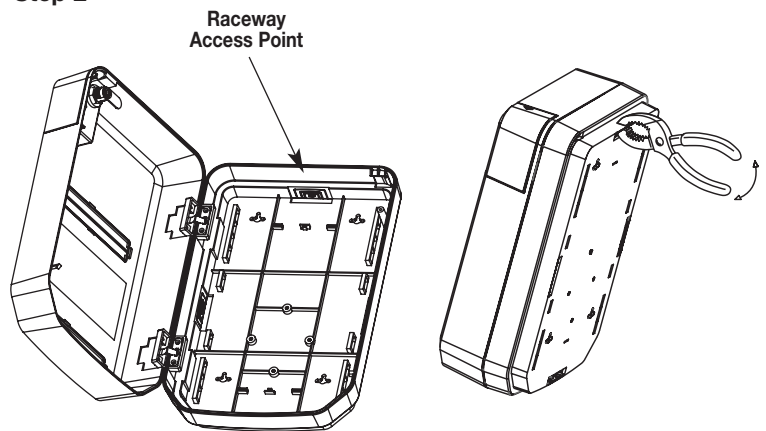
IMPORTANT: Please read all instructions before beginning.

CAUTION: To reduce the risk of electrical shock, always disconnect the network lines before servicing or disassembling this equipment.

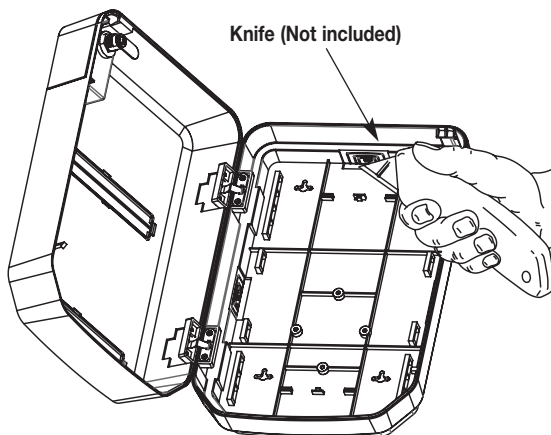
Step 1



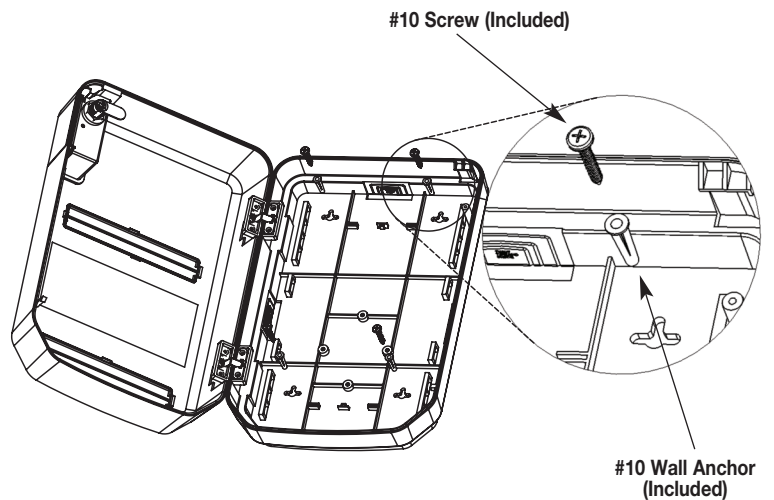
Step 2



Step 3 Trim around opening.



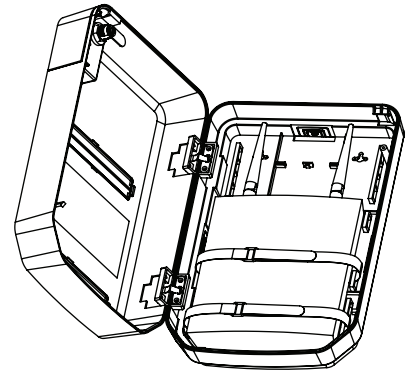
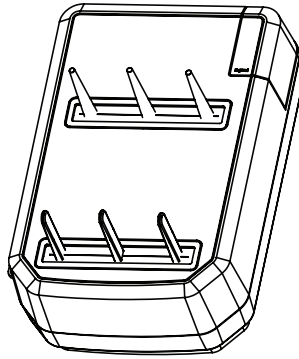
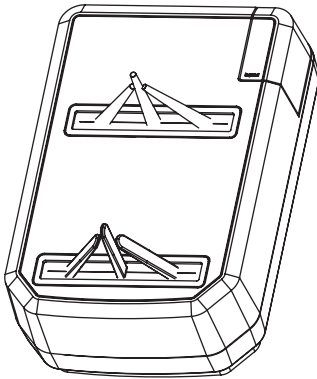
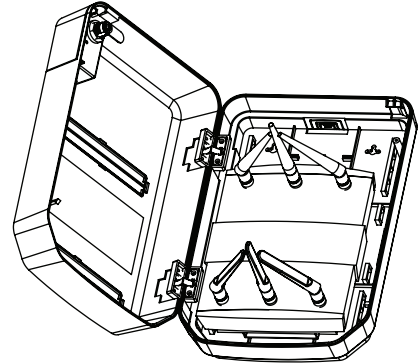
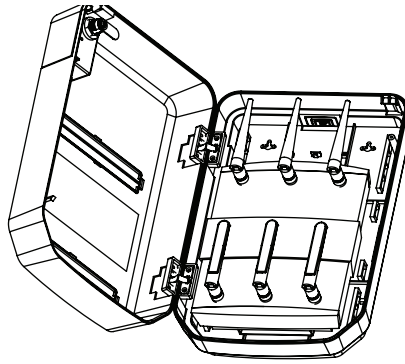
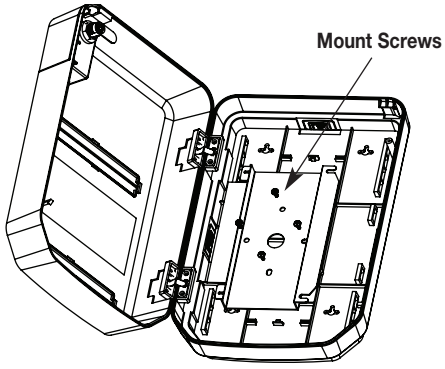
Step 4



Step 5

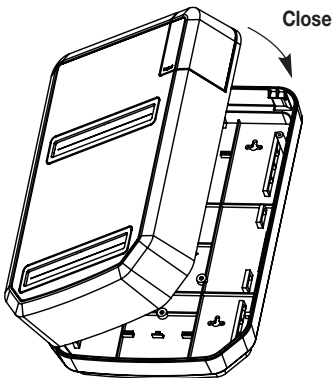
Cisco® Router

NOTE: Wireless Access Device not included.



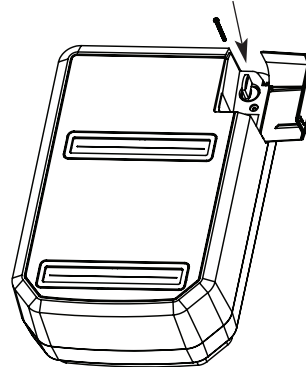
Hook and Loop Straps
for other routers

Step 6



Step 7

Secure unit closed with
supplied key lock or #6 screw



Wiremold

Wiremold

U.S. and International:

60 Woodlawn Street • West Hartford, CT 06110

1-800-621-0049 • FAX 860-232-2062 • Outside U.S.: 860-233-6251

Canada:

570 Applewood Crescent • Vaughan, Ontario L4K 4B4

1-800-723-5175 • FAX 905-738-9721

