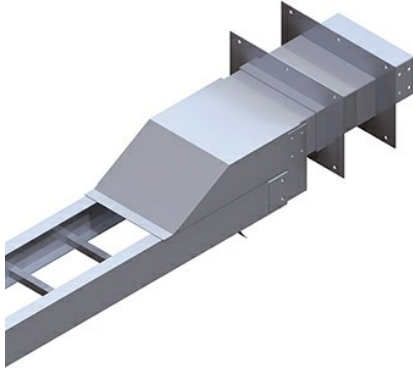


---

## OUTDOOR CONVERSION KIT

OCK | [Cablofil](#)



---

### FEATURES & BENEFITS

The aluminum I-beam design of ITray is perfect for industrial installations with large diameter cables in long span situations, minimizing total tray width and creating a smooth transition between straight sections and fittings. A structural offset in the sidewall creates strong, mid-span splices that need fewer supports. Each splice snaps in place and stays without holding. Additionally, only four bolts are needed for each splice reducing hardware needs by 50%. These features allow Itray to be installed up to 30% faster than standard tray.

- Material: Aluminum Alloy 5052 - H32
- Finish: Plain
- Height (H): Tray height: 4", 5", 6", 7"
- Width (W): Tray width: 6", 9", 12", 18", 24", 30", 36"

---

### SPECIFICATIONS

#### GENERAL INFO

Finish: Plain  
Product Series: Itray  
Type: Penetration Sleeves

#### CONSTRUCTION INFORMATION

Material 1: Aluminum