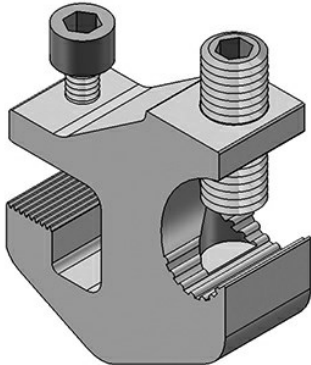

CABLE TRAY GROUNDING CLAMP

A840-01 | [Cablofil](#)



FEATURES & BENEFITS

- Provides an excellent ground for copper or aluminum ground wires to the cable tray.
- A 1/4" hex wrench is used to tighten both tray and conductor set screws.
- Clamps are tin-plated, extruded aluminum.
- Conductor range: #6AWG to 250 MCM.

SPECIFICATIONS

GENERAL INFO

Product Series: Metallic
Type: Support Hardware

CONSTRUCTION INFORMATION

Material 1: Aluminum

BUY AMERICAN ACT COMPLIANCE

Country Of Origin: UNITED STATES OF AMERICA

