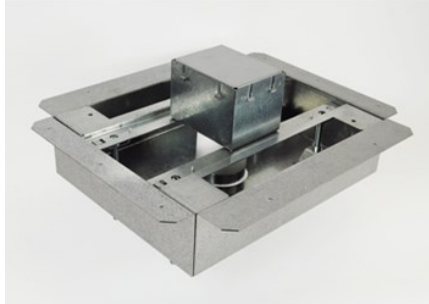


---

## 8801S-FC OMNIBOX SERIES FIRE CLASSIFIED 1-GANG FLOOR BOX

8801S-FC | [Wiremold](#)



---

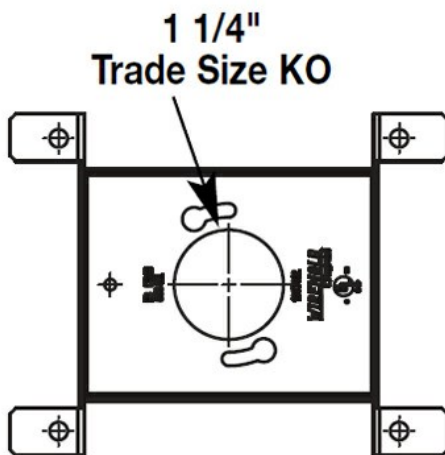
### FEATURES & BENEFITS

1-Gang Fire Classified Steel Floor Box. Adjustment range over deck of 2" (51mm) minimum to 5" (127mm) maximum. Use in normal weight concrete 4 1/2" (114mm) minimum pour over deck. One 1 1/4" (32mm) conduit feed opening. Box Capacity 53 cubic inches. This floor box preserves the 2-hour fire rating of floors in which it has been installed.

---

### SPECIFICATIONS

Knockout Sizes & Locations:



### GENERAL INFO

Product Series: FCFB  
Component Type: Boxes  
Knockout Size: 1 1/4"

## CONSTRUCTION INFORMATION

Installation Location: Above-Grade

## BUY AMERICAN ACT COMPLIANCE

Country Of Origin: MULTIPLE

Buy American Act Status: Exception

Note: While most parts within this series comply with the BAA's Country of Origin requirements, some do not. For a complete list of all parts and their respective Country of Origin, refer to the "Series Part List-COO" under "Supporting Documents" on the "Resources" tab.