



CRFB SERIES 4 COMPARTMENT ROUND RECESSED HOUSING

CRFB4 | [Wiremold](#)

FEATURES & BENEFITS

The CRFB4 Floor Box is a 4 compartment round recessed housing designed to accommodate power, communications, and audio/video services for raised and wood floor applications. Popular applications for the CRFB floor box include: open office environments, conference rooms, computer centers, stages and altars. The CRFB Series floor box can accept the CRFB Series round cover assemblies as well as the 8" Evolution Series Poke-Thru Device covers and are available in six aesthetic colors: black, gray, brass, nickel, bronze, and aluminum.

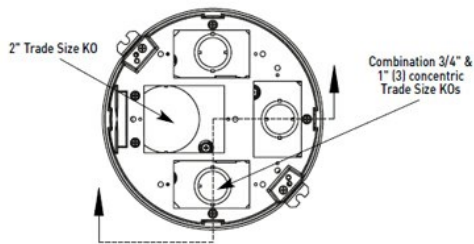
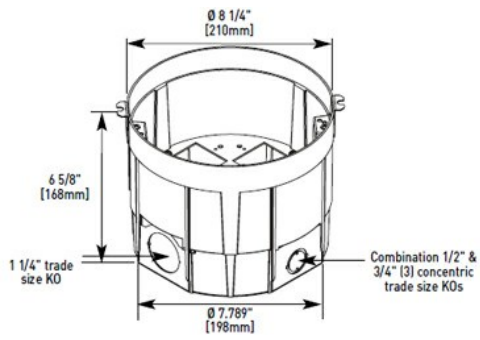
* The covers for CRFB housing are sold separately.



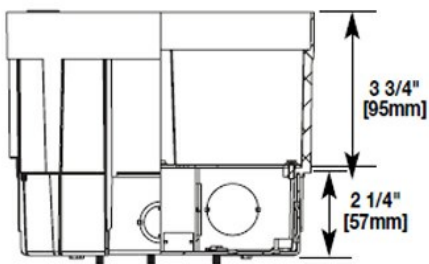
- **Accepts the Evolution Series Poke-Thru Covers.** The CRFB Series Floor Box has been designed to accept the round 8" Evolution Series Poke-Thru Covers, increasing the ability to match aesthetics throughout the building.
- **Large multi-compartment boxes.** Provides adequate wiring capacity for power, communications and audio/video services. The CRFB Series floor boxes have been design to accept a wide range of audio/video devices from most manufacturers.
- **Easy installation in raised and wood floors.** CRFB Series Floor Box has been design to be easily installed before or after the floor cover in raised or wood floor applications.
- **Flexible, configurable box design.** Flexible box design has been improved with removable modules, tunneling feature and increase knockout sizes.
- **Meets ADA Accessibility Guidelines.** Wide trim flange is designed to meet the ADA accessibility Guidelines as it pertains to ADA Standard 4.5, which addresses changes in floor and ground surface levels.
- **Meets NEC Section 300-22(c).** The CRFB Series floor boxes are suitable for use in air handling spaces.
- **Listed by Underwriters Laboratories Inc. to U.S. and Canadian safety standards for raised floors and wood floors.**

SPECIFICATIONS

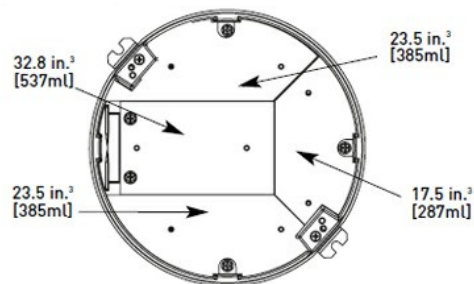
Knockout Sizes & Locations:



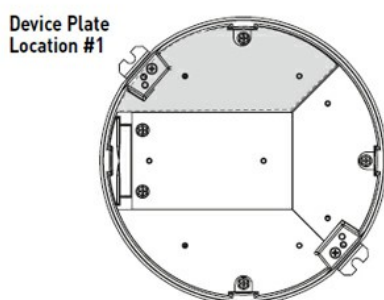
Compartment Depth:



Compartment Volumes:

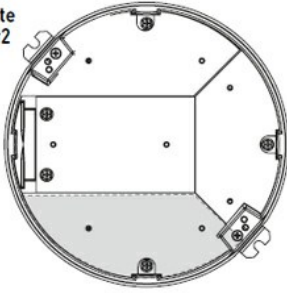


Device Plate Locations:



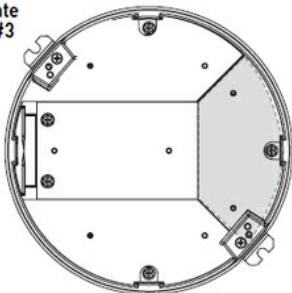
NOTE: Standard size for device plates for Plate Location 1 is $6 \frac{11}{32}"$ [161mm] x $2 \frac{3}{4}"$ [62mm].

Device Plate
Location #2



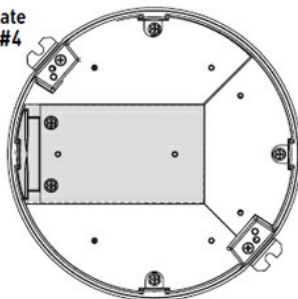
NOTE: Standard size for device plates for Plate Location 2
is 5 7/32" [132mm] x 2 3/4" [62mm].

Device Plate
Location #3



NOTE: Standard size for device plates for Plate Location 3
is 5 7/32" [132mm] x 2 3/4" [62mm].

Device Plate
Location #4



NOTE: Standard size for device plates for Plate Location 4
is 5 7/32" [132mm] x 2 3/4" [62mm].

GENERAL INFO

Product Series: CRFB
Component Type: Floor Boxes

LISTING AGENCIES/THIRD PARTY CERTIFICATIONS

RoHS: Yes
UL Listing No: UL E2961

DIMENSIONS

Diameter (US): 8.25
Height (US): 6.625
Overall Dimensions (US): 8.25 Dia x 6.625
Product Weight (US): 13 lbs

BUY AMERICAN ACT COMPLIANCE

Country Of Origin: CHINA