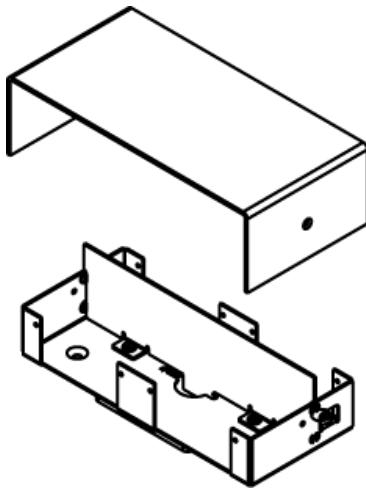




Wiremold
Discontinued - FIT Series Poke-Thru Device Assembly and Base
Part No. 241-H/BTC



Double width housing for 241 Series Service Head. Barrier included (may not be needed for single service applications). Base has a 3/4" trade size KO for connection to FIT insert. Order two faceplates to complete service head assembly. NOTE: Assembled with scrub water gasket. For use on tile and carpte floors.

Features & Benefits

Double width housing for 241 Series Service Head. Barrier included (may not be needed for single service applications).

Base has a 3/4" trade size KO for connection to FIT insert. Order two faceplates to complete service head assembly. NOTE: Assembled with scrub water gasket. For use on tile and carpte floors.

Specifications

General Info

Product Line	Wiremold	UPC Number	786564021667
Country Of Origin	Mexico	Construction	Not Assembled
Application Sector	Commercial, Residential	Standard	cULus Listed Metallic Outlet Boxes: File E2961 Guide QCIT, cULus Listed Nonmetallic Outlet Boxes & Fittings Classified for Fire Resistance: File R8209 Guide CEYY Meets Article 300.21 300.22[C] &314 of NEC
Type	Poke-Thru		

Dimensions

Product Weight US	2.5 lb	Product Height US	2.625 in
Product Length US	9.25 in		

Listing Agencies / 3rd Party Agencies

cULus ListingNumber	E2961	cULus Listed	Yes
---------------------	-------	--------------	-----

Additional Information

RoHS Compliant Yes
