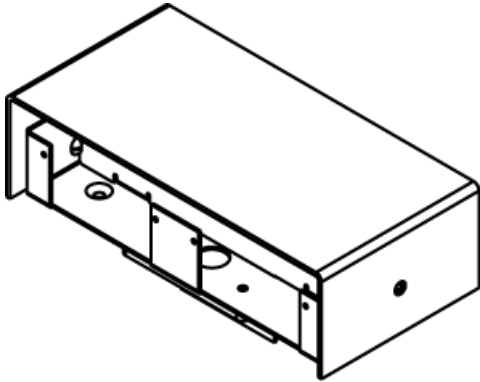




Wiremold
RC91GHBTC and RC92GHBTC Series Single-Width Service Head
Part No. 292-H/BTC



Includes housing, base, scrub water gasket, and barrier. Use with Insert Assembly RC99FFS. NOTE: RC91GHBTC and RC92GHBTC Series Poke-Thru Devices require a minimum 3 1/16" (78mm) diameter hole.

Specifications

General Info

UPC Number	786564022084	Country Of Origin	Mexico
Product Line	Wiremold	Application Sector	Commercial
Type	Poke-Thru	Construction	Unassembled
Standard	cULus Listed Metallic Outlet Boxes: File E2961 Guide QCIT. cULus Listed Nonmetallic Outlet Boxes & Fittings Classified for Fire Resistance: File R8209 Guide CEYY. Meets Article 300.21, 300.22[C] & 314 of NEC.		

Listing Agencies / 3rd Party Agencies

cULus Listed	Yes	cULus ListingNumber	E2961
--------------	-----	---------------------	-------

Additional Information

RoHS Conformant	Yes
-----------------	-----