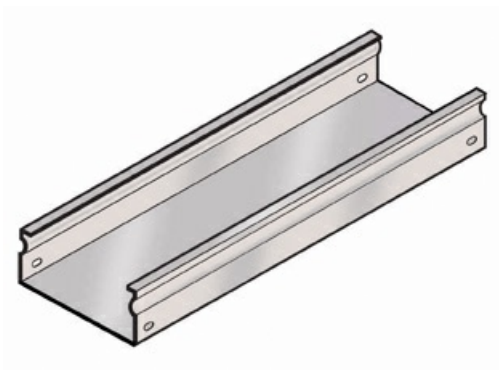




Cablofil  
**FIBER TROUGH -PREGALV(4D,8W,120L)**  
Part No. 340032



Cablofil Fiber Trough utilizes high strength steel components to provide the strength and durability required to manage fiber cabling requirements in the most demanding data center environments.

## Features & Benefits

Strong corrosion resistant steel construction.

Unique Design: allows cover to snap on.

Rolled Edge: for cable protection.

18 gage steel (t).

## Specifications

### General Info

Product Line	Cablofil	Finish	Pre-Galvanized
Country Of Origin	Italy		

### Dimensions

Product Width US	7.9 in	Product Weight US	19.7 lb
Product Volume US	2.097 cu ft	Product Depth US	117.6 in
Product Height US	3.9 in		

### Buy American Act Compliance

BAA	Yes
-----	-----