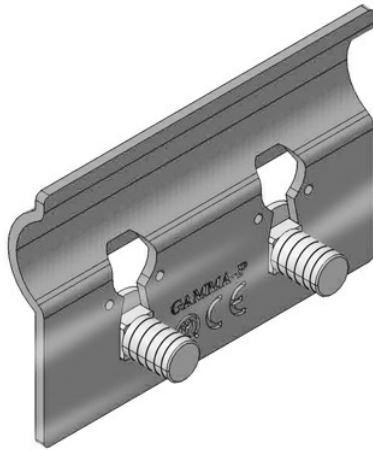




Cablofil
New FT50 SPLICE PLATE W_HDWE PG
Part No. 341562



Cablofil Fiber Trough utilizes high strength steel components to provide the strength and durability required to manage fiber cabling requirements in the most demanding data center environments.

Features & Benefits

Use when splicing field cut tray sections.

Hardware Included

Specifications

General Info

| | | | |
|--------------|--------------|-------------------|-------------------|
| Product Line | Cablofil | Finish | Pre-Galvanized GS |
| UPC Number | 800388241664 | Country Of Origin | Italy |

Dimensions

| | | | |
|-------------------|-------------|-------------------|----------|
| Product Width US | 2.25 in | Product Weight US | 0.077 lb |
| Product Volume US | 0.001 cu ft | Product Depth US | 2.25 in |
| Product Height US | 0.25 in | | |