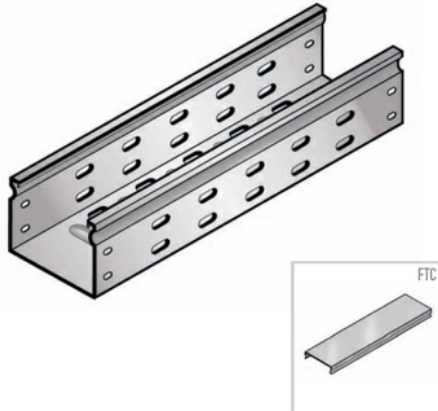




Cablofil
VT50/200PG - Ventilated Straight
Part No. 480155



V-Trough cable tray keeps your cables protected and easy to manage. Its high-strength steel construction matches many European OEM specifications and is available in smaller sizes for control and instrumentation cabling. V-Trough is manufactured to exacting standards so that all components fit together perfectly, making installation a snap.

Features & Benefits

Built in splicing for connection without separate splice plates.

Ventilated design: reduces cable heating, mold and moisture buildup.

Specifications

General Info

Product Line	Cablofil	Finish	Pre-Galvanized GS
UPC Number	800388240131	Country Of Origin	Italy

Dimensions

Product Weight US	9.182 lb
-------------------	----------