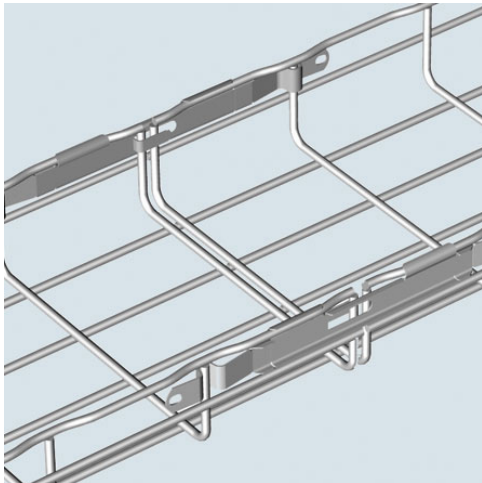




Cablofil
FAST SPLICE-EZ (50 PCS) [558241]
Part No. 558241



Cablofil Wiremesh Cable Tray concept based upon performance, safety and economy: three qualities which make Cablofil Wiremesh Cable Tray system preferred by installers. Cablofil adapts to the most complex configurations, and its structure gives maximum strength for minimum weight. The ease of creating fittings, carried out on site, as well as the wide range of unique and universal accessories gives complete freedom in routing combined with exceptionally fast installation.

Features & Benefits

Fastest splice available from Cablofil, saves up to 1/2 the install time compared to using bolted connections. Special assembly tool (EDRNT00L) is included in every bag of splices. UL Classified Splice.

Specifications

General Info

| | | | |
|--------------|---------------|-------------------|-------------|
| Product Line | Cablofil | Finish | Electrozinc |
| UPC Number | 800388003552 | Country Of Origin | China |
| Standard | UL Classified | | |

Dimensions

| | | | |
|-------------------|-------------|-------------------|----------|
| Product Width US | 7.5 in | Product Weight US | 7.606 lb |
| Product Volume US | 0.215 cu ft | Product Depth US | 11.0 in |
| Product Height US | 4.5 in | | |

Additional Information

| | |
|-----------------|-----|
| RoHS Conformant | Yes |
|-----------------|-----|