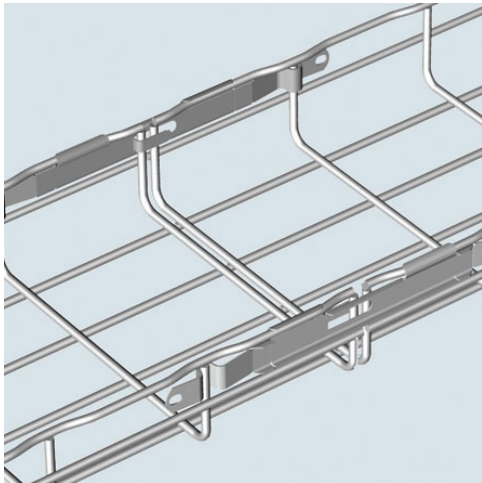




Cablofil
FAST SPLICE-STAINLESS (50 PCS) [558244]
Part No. 558244



Cablofil Wiremesh Cable Tray concept based upon performance, safety and economy? three qualities which make Cablofil Wiremesh Cable Tray system preferred by installers. Cablofil adapts to the most complex configurations, and its structure gives maximum strength for minimum weight. The ease of creating fittings, carried out on site, as well as the wide range of unique and universal accessories gives complete freedom in routing combined with exceptionally fast installation.

Features & Benefits

Fastest splice available from Cablofil, saves up to 1/2 the install time compared to using bolted connections. Special assembly tool (EDRNT00L) is included in every bag of splices. UL Classified Splice.

Specifications

General Info

Product Line	Cablofil	Finish	S6
UPC Number	800388239944	Country Of Origin	China
Application Sector	Commercial, Industrial	Type	Splicing

Dimensions

Product Width US	7.5 in	Product Weight US	7.0 lb
Product Volume US	0.215 cu ft	Product Depth US	11.0 in
Product Height US	4.5 in		

Trade Programs

BAA	Yes
-----	-----

Additional Information

RoHS Compliant	Yes	Product Environmental Profile	Yes
----------------	-----	-------------------------------	-----