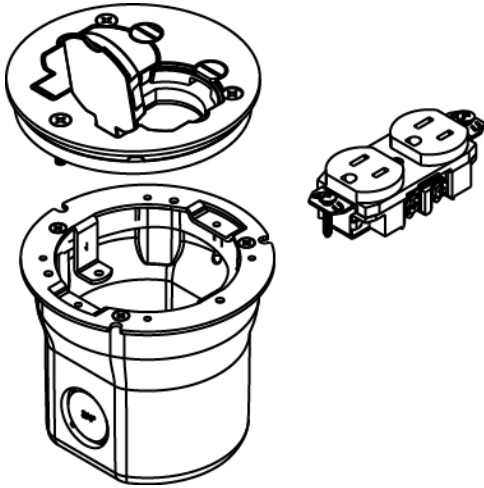




Wiremold
862DB Series PVC Floor Box Assembly for Wood or Concrete Floors
Part No. 862DB



Includes 862 Series Floor Box, one 15A, 125V tamper-resistant brown duplex receptacle, and one 895T brass duplex receptacle cover for tile. Order 862KIT when using in concrete floor.

Features & Benefits

Includes 862 Series Floor Box, one 15A, 125V tamper-resistant brown duplex receptacle, and one 895T brass duplex receptacle cover for tile. Order 862KIT when using in concrete floor.

Specifications

General Info

Product Line	Wiremold	Replaced by Part Number	895T, 862
UPC Number	786564032588	Country Of Origin	Mexico
Construction	Not Assembled	Cover Material	Brass
Application Sector	Commercial, Hospitality, Residential	Standard	cULus Listed Nonmetallic Outlet Boxes: File E110748 Guide QCMZ. Meets Article 314.27(C) of NEC.
Warranty Type	1-Year from Installation or 2-Years from Day of Sale	Type	Floor Box

Dimensions

Product Width US	4.25 in	Product Weight US	1.88 lb
Product Depth US	4.25 in	Product Height US	4.0 in
Knockout Size	3/4 in		

Listing Agencies / 3rd Party Agencies

cULus ListingNumber	E110748	cULus Listed	Yes
---------------------	---------	--------------	-----

Trade Programs

USMCA	Yes
-------	-----

Additional Information

RoHS Compliant	Yes
----------------	-----

Technical Information

Floor Type	Concrete, Tile, Wood	Service Capacity	Single
Box Capacity	1 Gang	Cable Entry	Through Floor
Number of Outlets	2	Depth Behind Device Plates	3.5 in
