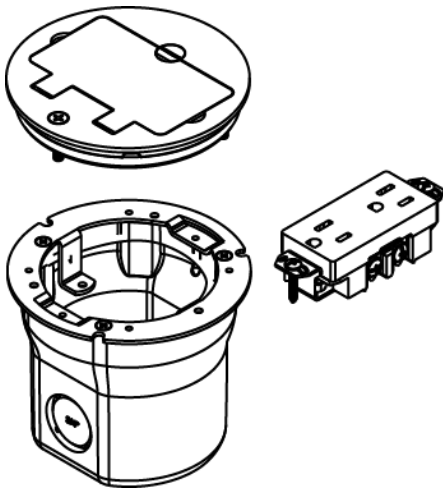




Wiremold
862GFI Series PVC Floor Box Assembly for Wood or Concrete Floors
Part No. 862TGF1



Includes 862 Series Floor Box, one Decorator style 15A, 125V tamper-resistant brown receptacle, and one 895TGF1 brass cover for tile. Order 862KIT when using in concrete floor.

Specifications

General Info

Product Line	Wiremold	UPC Number	786564032618
Country Of Origin	Mexico	Construction	Not Assembled
Application Sector	Commercial	Standard	cULus Listed Nonmetallic Outlet Boxes: File E110748 Guide QCMZ. Meets Article 314.27(C) of NEC.
Type	Floor Box		

Listing Agencies / 3rd Party Agencies

cULus ListingNumber	E110748	cULus Listed	Yes
---------------------	---------	--------------	-----

Buy American Act Compliance

NAFTA	Yes
-------	-----

Additional Information

RoHS Conformant	Yes
-----------------	-----

Technical Information

Cable Entry	Through Floor in	Number of Outlets	2
-------------	------------------	-------------------	---