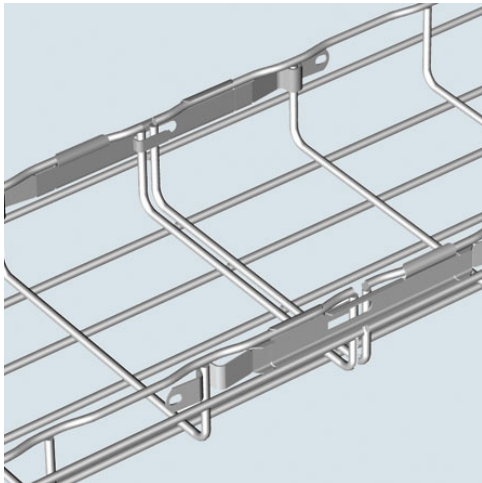




Cablofil
FAST SPLICE-PAINTED (50 PCS)
 Part No. 934032



Cablofil Wiremesh Cable Tray concept based upon performance, safety and economy

Features & Benefits

Cablofil's Wiremesh Cable Tray concept is based on performance, safety, and economy. These three qualities make the Cablofil Wiremesh Cable Tray system preferred by installers

Cablofil adapts to the most complex configurations

Structure provides maximum strength for minimum weight

Ease of creating fittings on-site

Wide range of unique and universal accessories

Complete freedom in routing

Exceptionally fast installation

Specifications

General Info

Product Line	Cablofil	Finish	Painted
UPC Number	800388008120	Country Of Origin	China
Application Sector	Commercial, Industrial	Type	Splicing

Dimensions

Product Width US	7.5 in	Product Weight US	7.0 lb
Product Volume US	0.215 cu ft	Product Depth US	11.0 in
Product Height US	4.5 in		

Trade Programs

BAA

Yes
