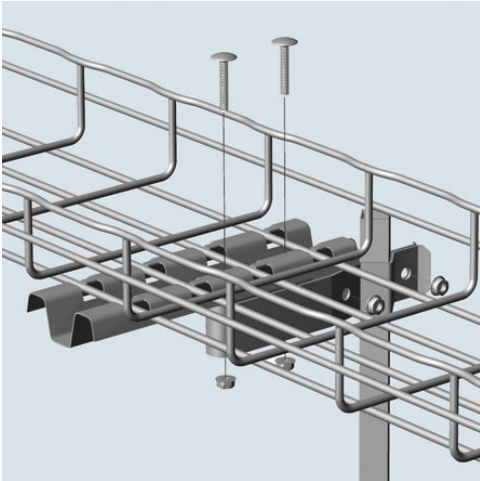




Cablofil
UNDER FLOOR CLAMP, FASP200-PREGALV (2D,4W,8L)
Part No. 942448



Cablofil Wiremesh Cable Tray concept based upon performance, safety and economy: three qualities which make Cablofil Wiremesh Cable Tray system preferred by installers. Cablofil adapts to the most complex configurations, and its structure gives maximum strength for minimum weight. The ease of creating fittings, carried out on site, as well as the wide range of unique and universal accessories gives complete freedom in routing combined with exceptionally fast installation.

Features & Benefits

UFCN includes clamp, pre-assembled FAS Profile, nuts and bolts.

Clamp attaches to square or round support posts.

FAS Profile secures tray without additional hardware.

Adjusts to any height.

Specifications

General Info

Product Line	Cablofil	Finish	Pre-Galvanized GS
UPC Number	800388012455	Country Of Origin	China
Standard	UL Classified		

Dimensions

Product Width US	2.75 in	Product Weight US	1.0 lb
Product Volume US	0.052 cu ft	Product Depth US	10.0 in
Product Height US	3.258 in		