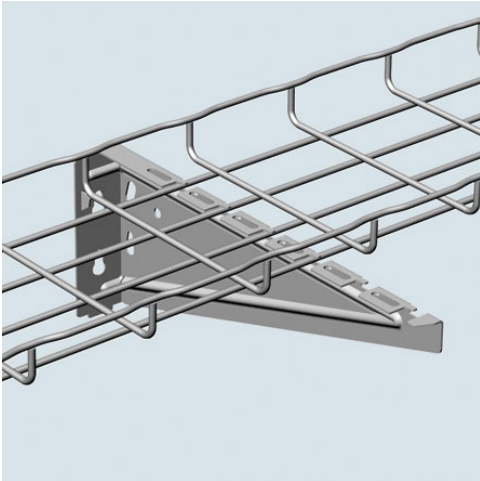




Cablofil  
**FAS UNIVERSAL BRACKET WHITE(2D,8W,24L)**  
Part No. 943022



Cablofil Wiremesh Cable Tray concept based upon performance, safety and economy three qualities which make Cablofil Wiremesh Cable Tray system preferred by installers. Cablofil adapts to the most complex configurations, and its structure gives maximum strength for minimum weight. The ease of creating fittings, carried out on site, as well as the wide range of unique and universal accessories gives complete freedom in routing combined with exceptionally fast installation.

## Features & Benefits

---

Use for tray support in under floor application in combination with EDF Rail. Use patented locking tabs on FAS U to secure tray without additional hardware. Supports wider tray and heavier loads than FAS L. FAS U snaps directly into EDF rail.

## Specifications

---

### General Info

Country Of Origin	United States	Product Line	Cablofil
Finish	Custom Painted		

---

### Additional Information

RoHS Conformant	Yes
-----------------	-----

---