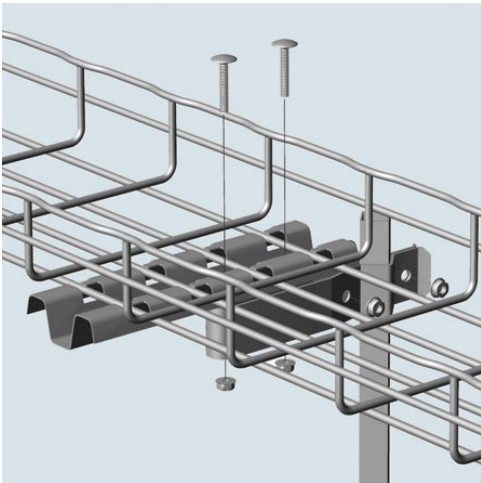




Cablofil  
UFCN150GC - UNDER FLOOR CLAMP-HOT DIPPED FASP150 [945150]  
Part No. 945150



Cablofil Wiremesh Cable Tray concept based upon performance, safety and economy

## Features & Benefits

---

three qualities which make Cablofil Wiremesh Cable Tray system preferred by installers. Cablofil adapts to the most complex configurations, and its structure gives maximum strength for minimum weight. The ease of creating fittings, carried out on site, as well as the wide range of unique and universal accessories gives complete freedom in routing combined with exceptionally fast installation.

## Specifications

---

### General Info

---

Product Line	Cablofil	Finish	Hot Dipped Galvanized
Country Of Origin	China		

---