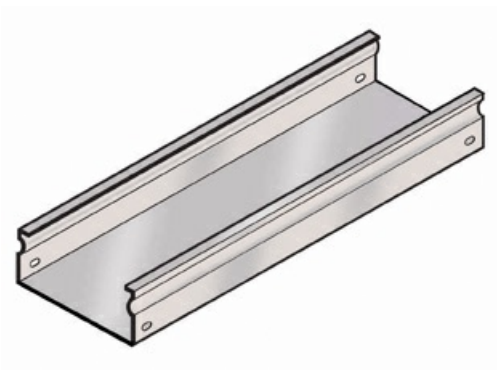




Cablofil  
FiberTrough Straight- PAINTED (2H,4W)  
Part No. 960561



Cablofil Fiber Trough utilizes high strength steel components to provide the strength and durability required to manage fiber cabling requirements in the most demanding data center environments.

## Features & Benefits

Strong corrosion resistant steel construction.

Unique Design: allows cover to snap on.

Rolled Edge: for cable protection.

18 gage steel (t).

## Specifications

### General Info

Product Line	Cablofil	Finish	Custom Painted
Country Of Origin	Italy		

### Dimensions

Product Weight US	6.916 lb
-------------------	----------

### Buy American Act Compliance

BAA	Yes
-----	-----