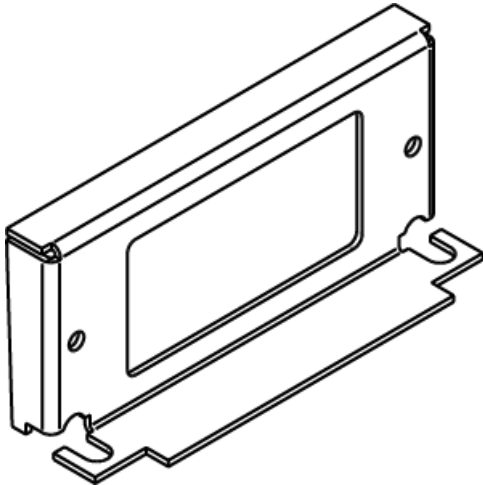




Wiremold  
RFB4-CI-1 Series Internal GFI Bracket  
Part No. CIHT-GFI



Accepts standard GFCI or Decorator Style Receptacles, Communication or Audio/Video Devices. NOTE: For use with RFB4-CI-1 only.

## Features & Benefits

Accepts standard GFCI or Decorator Style Receptacles, Communication or Audio/Video Devices. NOTE: For use with RFB4-CI-1 only.

## Specifications

### General Info

Product Line	Wiremold	UPC Number	786564320555
Country Of Origin	United States	Construction	Unassembled
Application Sector	Commercial	Standard	cULus Listed Metallic Outlet Boxes: File E2961 Guide QCIT Meets Article 314.27(C) of NEC.
Warranty Type	1-Year from Installation or 2-Years from Day of Sale	Type	Bracket

### Dimensions

Product Weight US 0.196 lb

### Listing Agencies / 3rd Party Agencies

cULus ListingNumber E2961 cULus Listed Yes

### Additional Information

---

RoHS Compliant

Yes

---