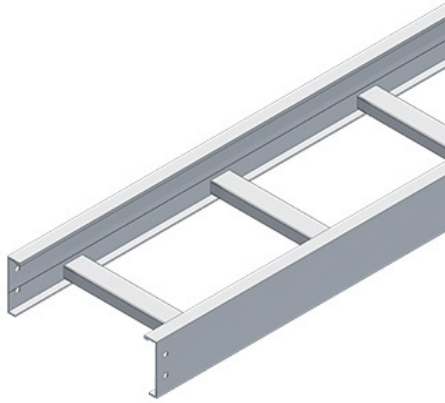




**Cablofil**  
**4" Steel Straight Sections**  
Part No. P008851



Choose from an extensive selection of metallic ladder tray with a variety of rung and bottom styles to choose from. Rail heights range from 4" to 7" and width sizes are available up to 36".

## Features & Benefits

Material: Commercial Quality Steel / ASTM A-1008 / A-1011

Finish: Ho-dip Galvanized after Fabrication / ASTM A-123

Bottom: Ldr: 1" wide + rung SC: Solid Corrugated VC: Vented Corrugated

Construction: Welded

Tray Design: Tray construction and markings are per the latest edition of NEMA Standards Publication VE1, CSA C22.2 No. 126

Tray Grounding Capability: Classified as an equipment grounding conductor per NEC 392.60

## Specifications

### General Info

Product Line	Cablofil	Finish	Hot Dipped Galvanized after Fabrication
UPC Number	800388261341	Country Of Origin	Mexico
Bottom Type	Ladder	Application Sector	Commercial, Industrial
Type	Straight Sections		

### Dimensions

Product Width US	6.0 in	Product Weight US	28.92 lb
Product Volume US	1.667 cu ft	Product Depth US	120.0 in
Product Height US	4.0 in	Rung Spacing	6 in

---

## Trade Programs

---

BAA	Yes
-----	-----

---

## Technical Information

---

NEMA Load Class	12C
-----------------	-----

---