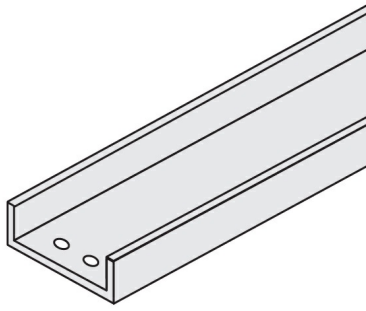




**Cablofil**  
1509-0010-04 HDGAF Steel Channel, 10'L  
Part No. P081082



### Specifications

---

#### General Info

---

Country Of Origin	Mexico	Product Line	Cablofil
Finish	Hot Dipped		

---

#### Dimensions

---

Product Volume US	0.486 cu ft	Product Width US	4.0 in
Product Height US	1.75 in	Product Weight US	15.219 lb
Product Depth US	120.0 in		

---