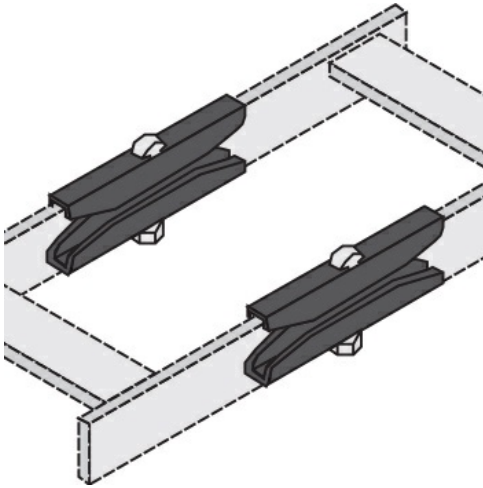




Cablofil  
**1R-1302-ZN-BK RUNWAY SPLICE CONNECTOR KIT**  
Part No. P081715



Cable Runway is available with tubular side rails that are lightweight yet strong and utilize rungs are made of tubular steel. Powder-coated finish is available in standard black.

## Features & Benefits

Includes runway connection hardware

## Specifications

### General Info

Product Line	Cablofil	Color	Black
Finish	Custom Painted	UPC Number	800388253001
Country Of Origin	United States	Application Sector	Commercial, Data Center
Standard	ROHS	Type	Splicing

### Dimensions

Product Width US	1.238 in	Product Weight US	0.001 lb
Product Volume US	0.004 cu ft	Product Depth US	5.0 in
Product Height US	1.5 in		

### Trade Programs

BAA	Yes
-----	-----