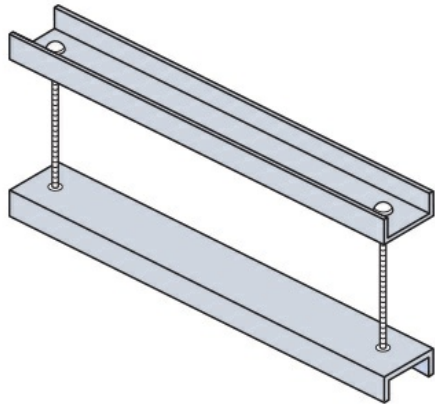




**Cablofil**  
**Flat Cover Connectors Channel-Style**  
Part No. P083049



The aluminum I-beam design of ITray is perfect for industrial installations with large diameter cables in long span situations, minimizing total tray width and creating a smooth transition between straight sections and fittings. A structural offset in the sidewall creates strong, mid-span splices that need fewer supports. Each splice snaps in place and stays without holding. Additionally, only four bolts are needed for each splice reducing hardware needs by 50%. These features allow Itray to be installed up to 30% faster than standard tray.

## Features & Benefits

For use with indoor, outdoor, or vertical flat covers.

Top and bottom pieces are 1 1/2" wide.

## Specifications

### General Info

|              |              |                   |                   |
|--------------|--------------|-------------------|-------------------|
| Product Line | Cablofil     | Finish            | Pre-Galvanized GS |
| UPC Number   | 800388515802 | Country Of Origin | Mexico            |

### Dimensions

|                   |             |                   |          |
|-------------------|-------------|-------------------|----------|
| Product Width US  | 19.625 in   | Product Weight US | 2.172 lb |
| Product Volume US | 0.036 cu ft | Product Depth US  | 1.5 in   |
| Product Height US | 2.11 in     |                   |          |

### Buy American Act Compliance

|     |     |
|-----|-----|
| BAA | Yes |
|-----|-----|