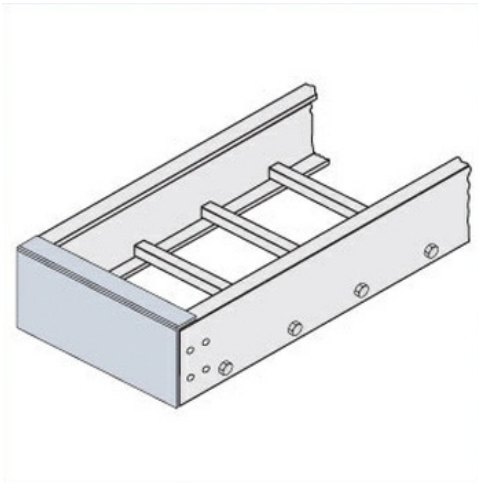




Cablofil
Blind End Plate
Part No. P084394



Choose from an extensive selection of metallic ladder tray with a variety of rung and bottom styles to choose from. Finishes include steel, 304L and 316L stainless steel to meet the needs of any application. Rail heights range from 4" to 7" and width sizes are available up to 36".

Features & Benefits

Includes Hardware

Specifications

General Info

Product Line	Cablofil	Finish	Pre-Galvanized
UPC Number	800388516670	Country Of Origin	Mexico

Dimensions

Product Width US	11.75 in	Product Weight US	1.23 lb
Product Volume US	0.047 cu ft	Product Depth US	1.5 in
Product Height US	4.625 in		

Buy American Act Compliance

BAA	Yes
-----	-----