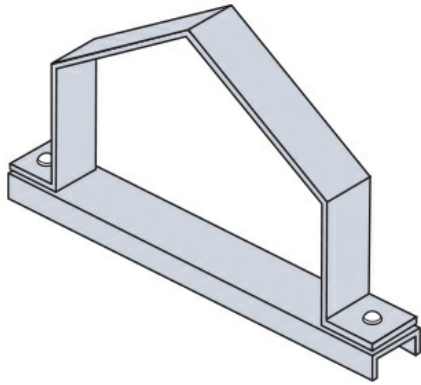




## Cablofil Peaked Cover Connectors Strap-Style

Part No. P085656



The aluminum I-beam design of ITray is perfect for industrial installations with large diameter cables in long span situations, minimizing total tray width and creating a smooth transition between straight sections and fittings. A structural offset in the sidewall creates strong, mid-span splices that need fewer supports. Each splice snaps in place and stays without holding. Additionally, only four bolts are needed for each splice reducing hardware needs by 50%. These features allow Itray to be installed up to 30% faster than standard tray.

### Features & Benefits

For use with indoor, outdoor, or vertical flat covers.

Top and bottom pieces are 1 1/2" wide.

### Specifications

#### General Info

Product Line	Cablofil	Finish	Other
Country Of Origin	United States		

#### Dimensions

Product Weight US	3.523 lb
-------------------	----------