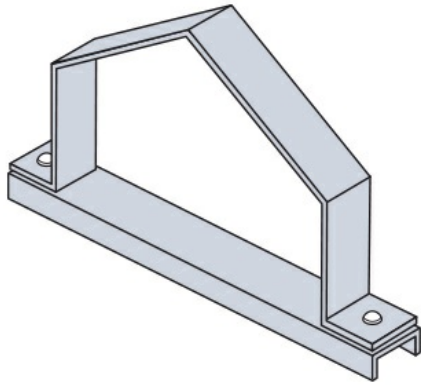




Cablofil
Peaked Cover Connectors Strap-Style
Part No. P085684



The aluminum I-beam design of ITray is perfect for industrial installations with large diameter cables in long span situations, minimizing total tray width and creating a smooth transition between straight sections and fittings. A structural offset in the sidewall creates strong, mid-span splices that need fewer supports. Each splice snaps in place and stays without holding. Additionally, only four bolts are needed for each splice reducing hardware needs by 50%. These features allow Itray to be installed up to 30% faster than standard tray.

Features & Benefits

For use with indoor, outdoor, or vertical flat covers.

Top and bottom pieces are 1 1/2" wide.

Specifications

General Info

| | | | |
|-------------------|---------------|--------|-------|
| Product Line | Cablofil | Finish | Other |
| Country Of Origin | United States | | |

Dimensions

| | |
|-------------------|----------|
| Product Weight US | 3.802 lb |
|-------------------|----------|