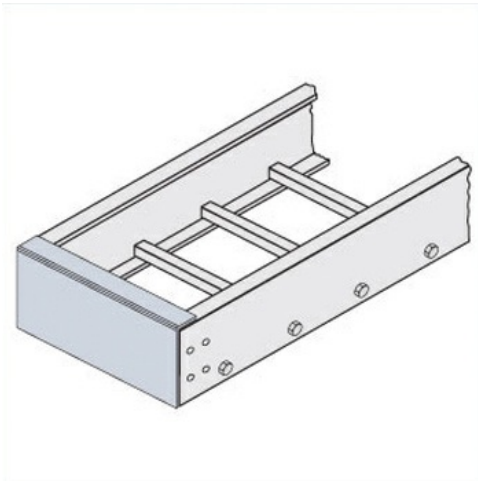




Cablofil  
Blind End Plate  
Part No. P086030



Choose from an extensive selection of metallic ladder tray with a variety of rung and bottom styles to choose from. Finishes include steel, 304L and 316L stainless steel to meet the needs of any application. Rail heights range from 4" to 7" and width sizes are available up to 36".

## Features & Benefits

Includes Hardware

## Specifications

### General Info

Product Line	Cablofil	Finish	Mill Galvanized Steel
UPC Number	800388517271	Country Of Origin	Mexico
Application Sector	Commercial, Industrial	Type	Accessories

### Dimensions

Product Width US	17.75 in	Product Weight US	1.96 lb
Product Volume US	0.087 cu ft	Product Depth US	1.5 in
Product Height US	5.625 in		

### Trade Programs

BAA	Yes
-----	-----