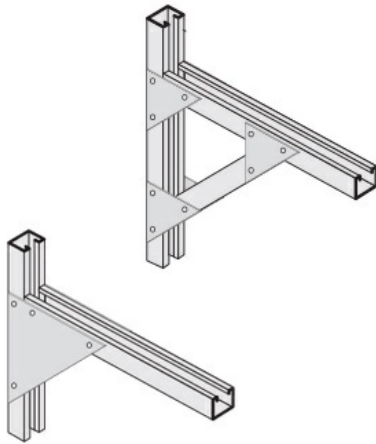




Cablofil
F-0386-22 Fiberglass Support Bracket 22"L
Part No. P086457



For extremely corrosive applications we offer a full line of straight sections, fittings, covers and mounting accessories in polyester and vinylester fiberglass. Rail heights are available in 4" and 6" and widths are available up to 36".

Features & Benefits

Polyester resin Fiberglass standard

Specifications

General Info

Product Line	Cablofil	Finish	Other
UPC Number	800388517882	Country Of Origin	United States
Application Sector	Commercial, Industrial	Type	Supports

Dimensions

Product Width US	23.625 in	Product Weight US	17.31 lb
Product Volume US	0.385 cu ft	Product Depth US	3.125 in
Product Height US	9.0 in		

Trade Programs

BAA	Yes
-----	-----

Technical Information

Working Load	725 lb
--------------	--------