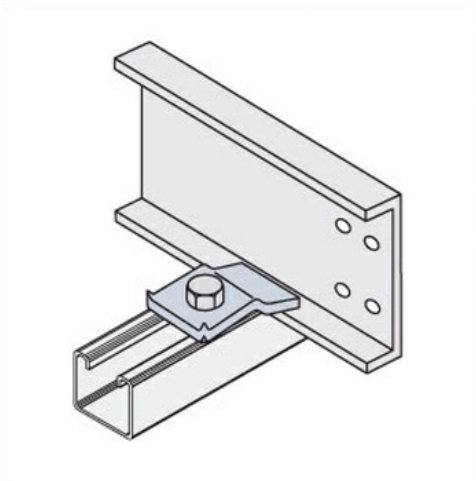




**Cablofil**  
**Zinc-Plated Expansion Guide Clamp w/Zinc-Plated Hdwe (10/BAG)**  
Part No. P087769



The aluminum I-beam design of ITray is perfect for industrial installations with large diameter cables in long span situations, minimizing total tray width and creating a smooth transition between straight sections and fittings. A structural offset in the sidewall creates strong, mid-span splices that need fewer supports. Each splice snaps in place and stays without holding. Additionally, only four bolts are needed for each splice reducing hardware needs by 50%. These features allow Itray to be installed up to 30% faster than standard tray.

## Features & Benefits

Designed for use with all trays.

## Specifications

### General Info

Product Line	Cablofil	Finish	Electrozinc
UPC Number	800388046153	Country Of Origin	Mexico

### Buy American Act Compliance

BAA	Yes
-----	-----