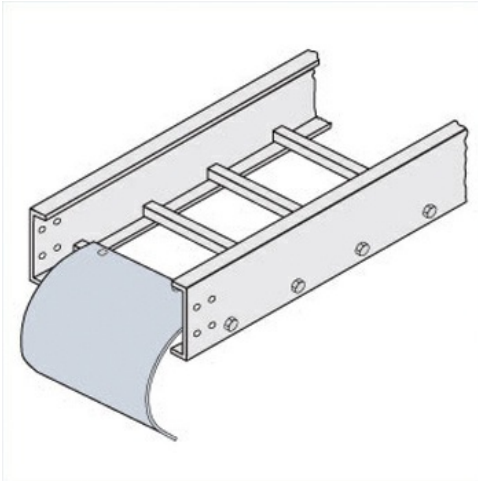




Cablofil
MI-0253-24-S6 3/4"R DROPOUT 24"W KIT
Part No. P088056



Choose from an extensive selection of metallic ladder tray with a variety of rung and bottom styles to choose from. Finishes include steel, 304L and 316L stainless steel to meet the needs of any application. Rail heights range from 4" to 7" and width sizes are available up to 36".

Features & Benefits

Smooth radius for cable drops

Specifications

General Info

Product Line	Cablofil	Finish	Mill Galvanized Steel
UPC Number	800388518889	Country Of Origin	Mexico
Application Sector	Commercial, Industrial	Type	Accessories

Dimensions

Product Width US	20.188 in	Product Weight US	1.75 lb
Product Volume US	0.048 cu ft	Product Depth US	2.75 in
Product Height US	1.494 in	Radius	0.75 in

Trade Programs

BAA	Yes
-----	-----