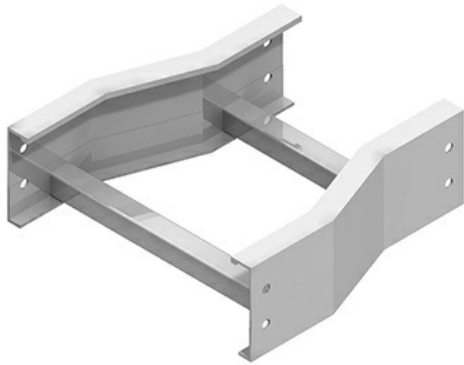




## Cablofil Horizontal Reducers Part No. P302719



The aluminum I-beam design of ITray is perfect for industrial installations with large diameter cables in long span situations, minimizing total tray width and creating a smooth transition between straight sections and fittings. A structural offset in the sidewall creates strong, mid-span splices that need fewer supports. Each splice snaps in place and stays without holding. Additionally, only four bolts are needed for each splice reducing hardware needs by 50%. These features allow Itray to be installed up to 30% faster than standard tray.

### Features & Benefits

Material: Aluminum Alloy 6063

Finish: Plain

Bottom: LD: 1" wide rung

Construction: Welded

Connectors: All fittings are supplied with

Fitting heights (H): 4, 5, 6, 7

### Specifications

#### General Info

UPC Number	800388085855	Country Of Origin	Mexico
Product Line	Cablofil	Finish	Aluminum

#### Dimensions

Product Volume US	1.392 cu ft	Product Width US	31.5 in
Product Height US	4.241 in	Product Weight US	5.142 lb
Product Depth US	18.0 in		

#### Buy American Act Compliance

BAA	Yes
-----	-----