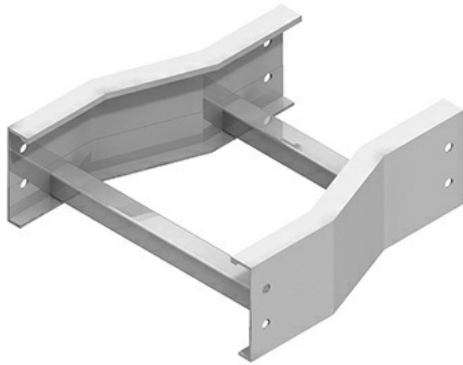




Cablofil
VC-4A-LR24-18 AL 4H LH REDUCER 24/18W
Part No. P303978



The aluminum I-beam design of ITray is perfect for industrial installations with large diameter cables in long span situations, minimizing total tray width and creating a smooth transition between straight sections and fittings. A structural offset in the sidewall creates strong, mid-span splices that need fewer supports. Each splice snaps in place and stays without holding. Additionally, only four bolts are needed for each splice reducing hardware needs by 50%. These features allow Itray to be installed up to 30% faster than standard tray.

Features & Benefits

Material: Aluminum Alloy 6063

Bottom: LD: 1" wide rung

Connectors: All fittings are supplied with

Finish: Plain

Construction: Welded

Fitting heights (H): 4, 5, 6, 7

Specifications

General Info

| | | | |
|--------------|--------------|-------------------|--------|
| Product Line | Cablofil | Finish | AL |
| UPC Number | 800388098459 | Country Of Origin | Mexico |

Dimensions

| | | | |
|-------------------|-------------|-------------------|----------|
| Product Width US | 25.5 in | Product Weight US | 6.563 lb |
| Product Volume US | 1.127 cu ft | Product Depth US | 18.0 in |
| Product Height US | 4.241 in | | |

Buy American Act Compliance

| | |
|-----|-----|
| BAA | Yes |
|-----|-----|