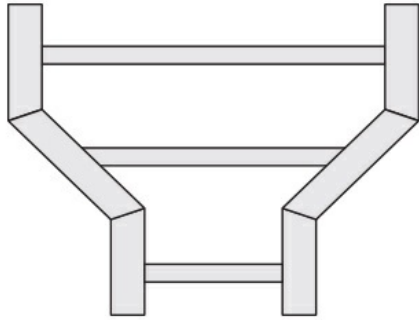




Cablofil
VC-5A-SR09-06 AL 5H STR REDUCER 09/06W
Part No. P306865



The aluminum I-beam design of ITray is perfect for industrial installations with large diameter cables in long span situations, minimizing total tray width and creating a smooth transition between straight sections and fittings. A structural offset in the sidewall creates strong, mid-span splices that need fewer supports. Each splice snaps in place and stays without holding. Additionally, only four bolts are needed for each splice reducing hardware needs by 50%. These features allow Itray to be installed up to 30% faster than standard tray.

Features & Benefits

Material: Aluminum Alloy 6063

Finish: Plain

Bottom: LD: 1" wide rung

Construction: Welded

Connectors: All fittings are supplied with

Fitting heights (H): 4, 5, 6, 7

Specifications

General Info

| | | | |
|--------------|--------------|-------------------|--------|
| Product Line | Cablofil | Finish | AL |
| UPC Number | 800388127357 | Country Of Origin | Mexico |

Dimensions

| | | | |
|-------------------|-------------|-------------------|----------|
| Product Width US | 11.5 in | Product Weight US | 4.995 lb |
| Product Volume US | 0.628 cu ft | Product Depth US | 18.0 in |
| Product Height US | 5.241 in | | |

Buy American Act Compliance

| | |
|-----|-----|
| BAA | Yes |
|-----|-----|