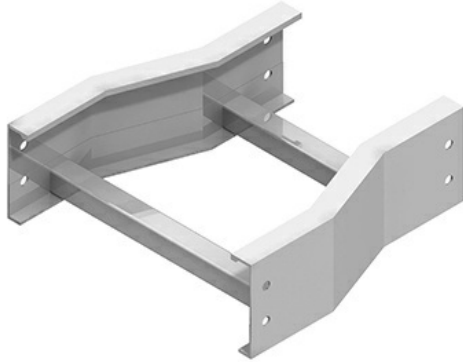




Cablofil
SC-5A-LR30-24 AL 5H LH REDUCER 30/24W
Part No. P307403



The aluminum I-beam design of ITray is perfect for industrial installations with large diameter cables in long span situations, minimizing total tray width and creating a smooth transition between straight sections and fittings. A structural offset in the sidewall creates strong, mid-span splices that need fewer supports. Each splice snaps in place and stays without holding. Additionally, only four bolts are needed for each splice reducing hardware needs by 50%. These features allow Itray to be installed up to 30% faster than standard tray.

Features & Benefits

Material: Aluminum Alloy 6063

Finish: Plain

Bottom: LD: 1" wide rung

Construction: Welded

Connectors: All fittings are supplied with

Fitting heights (H): 4, 5, 6, 7

Specifications

General Info

UPC Number	800388132733	Country Of Origin	Mexico
Product Line	Cablofil	Finish	Aluminum

Dimensions

Product Volume US	1.72 cu ft	Product Width US	31.5 in
Product Height US	5.241 in	Product Weight US	7.977 lb
Product Depth US	18.0 in		

Buy American Act Compliance

BAA	Yes
-----	-----