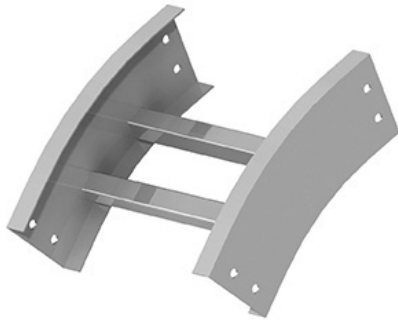




Cablofil
VC-6A-30VO36-09 AL 6H 30 OVR 36R 09W
Part No. P310021



The aluminum I-beam design of ITray is perfect for industrial installations with large diameter cables in long span situations, minimizing total tray width and creating a smooth transition between straight sections and fittings. A structural offset in the sidewall creates strong, mid-span splices that need fewer supports. Each splice snaps in place and stays without holding. Additionally, only four bolts are needed for each splice reducing hardware needs by 50%. These features allow Itray to be installed up to 30% faster than standard tray.

Features & Benefits

Includes splices and hardware

Specifications

General Info

Product Line	Cablofil	Finish	AL
UPC Number	800388158948	Country Of Origin	Mexico

Dimensions

Product Width US	10.5 in	Product Weight US	7.364 lb
Product Volume US	2.027 cu ft	Product Depth US	26.625 in
Product Height US	12.53 in		

Buy American Act Compliance

BAA	Yes
-----	-----