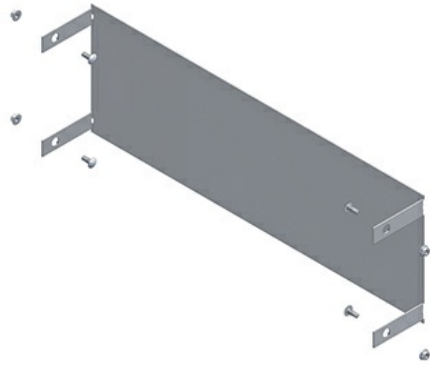




**Cablofil**  
**Blind End Kit**  
Part No. P314451



The aluminum I-beam design of ITray is perfect for industrial installations with large diameter cables in long span situations, minimizing total tray width and creating a smooth transition between straight sections and fittings. A structural offset in the sidewall creates strong, mid-span splices that need fewer supports. Each splice snaps in place and stays without holding. Additionally, only four bolts are needed for each splice reducing hardware needs by 50%. These features allow Itray to be installed up to 30% faster than standard tray.

## Features & Benefits

Material: Aluminum Alloy 5052 - H32

Finish: Plain

Height (H): Tray height: 4", 5", 6", 7"

Width (W): Tray width: 6", 9", 12", 18", 24", 30", 36"

Torque: 19 - 25 ft-lbs

## Specifications

### General Info

|              |              |                   |          |
|--------------|--------------|-------------------|----------|
| Product Line | Cablofil     | Finish            | Aluminum |
| UPC Number   | 800388203280 | Country Of Origin | Mexico   |

### Dimensions

|                   |             |                   |          |
|-------------------|-------------|-------------------|----------|
| Product Width US  | 18.0 in     | Product Weight US | 0.845 lb |
| Product Volume US | 0.143 cu ft | Product Depth US  | 2.75 in  |
| Product Height US | 5.0 in      |                   |          |

### Buy American Act Compliance

|     |     |
|-----|-----|
| BAA | Yes |
|-----|-----|