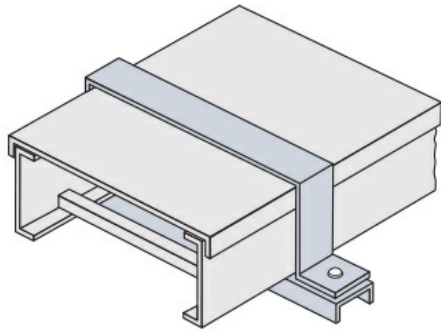




Cablofil
Flat Cover Connector
Part No. P314819



The aluminum I-beam design of ITray is perfect for industrial installations with large diameter cables in long span situations, minimizing total tray width and creating a smooth transition between straight sections and fittings. A structural offset in the sidewall creates strong, mid-span splices that need fewer supports. Each splice snaps in place and stays without holding. Additionally, only four bolts are needed for each splice reducing hardware needs by 50%. These features allow Itray to be installed up to 30% faster than standard tray.

Features & Benefits

Material: Aluminum Alloy 5052 - H32

Finish: Plain

Height (H): Tray height: 4", 5", 6", 7"

Width (W): Tray width: 6", 9", 12", 18", 24", 30", 36"

Specifications

General Info

Product Line	Cablofil	Finish	Aluminum
UPC Number	800388207035	Country Of Origin	Mexico
Application Sector	Commercial, Industrial	Type	Accessories, Covers

Dimensions

Product Width US	28.008 in	Product Weight US	1.146 lb
Product Volume US	0.119 cu ft	Product Depth US	1.5 in
Product Height US	4.893 in		

Trade Programs

BAA	Yes
-----	-----