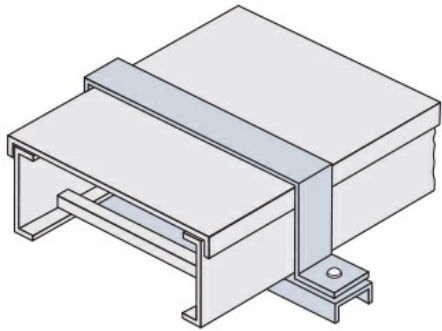




**Cablofil**  
**Flat Cover Connector**  
Part No. P314843



The aluminum I-beam design of ITray is perfect for industrial installations with large diameter cables in long span situations, minimizing total tray width and creating a smooth transition between straight sections and fittings. A structural offset in the sidewall creates strong, mid-span splices that need fewer supports. Each splice snaps in place and stays without holding. Additionally, only four bolts are needed for each splice reducing hardware needs by 50%. These features allow Itray to be installed up to 30% faster than standard tray.

## Features & Benefits

Material: Aluminum Alloy 5052 - H32

Finish: Plain

Height (H): Tray height: 4", 5", 6", 7"

Width (W): Tray width: 6", 9", 12", 18", 24", 30", 36"

## Specifications

### General Info

|              |              |                   |          |
|--------------|--------------|-------------------|----------|
| Product Line | Cablofil     | Finish            | Aluminum |
| UPC Number   | 800388207271 | Country Of Origin | Mexico   |

### Dimensions

|                   |            |                   |          |
|-------------------|------------|-------------------|----------|
| Product Width US  | 10.008 in  | Product Weight US | 0.593 lb |
| Product Volume US | 0.06 cu ft | Product Depth US  | 1.5 in   |
| Product Height US | 6.955 in   |                   |          |

### Buy American Act Compliance

|     |     |
|-----|-----|
| BAA | Yes |
|-----|-----|