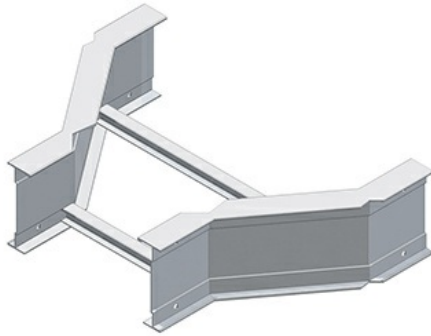




Cablofil

Horizontal Reducer Covers
Part No. P315217



The aluminum I-beam design of ITray is perfect for industrial installations with large diameter cables in long span situations, minimizing total tray width and creating a smooth transition between straight sections and fittings. A structural offset in the sidewall creates strong, mid-span splices that need fewer supports. Each splice snaps in place and stays without holding. Additionally, only four bolts are needed for each splice reducing hardware needs by 50%. These features allow Itray to be installed up to 30% faster than standard tray.

Features & Benefits

Material: Aluminum Alloy 5052 - H32

Finish: Plain

Width (W): Tray width: 6", 9", 12", 18", 24", 30", 36"

Specifications

General Info

UPC Number	800388211025	Country Of Origin	Mexico
Product Line	Cablofil	Finish	Aluminum

Dimensions

Product Volume US	0.056 cu ft	Product Width US	10.802 in
Product Height US	0.5 in	Product Weight US	0.677 lb
Product Depth US	18.0 in		

Buy American Act Compliance

BAA	Yes
-----	-----