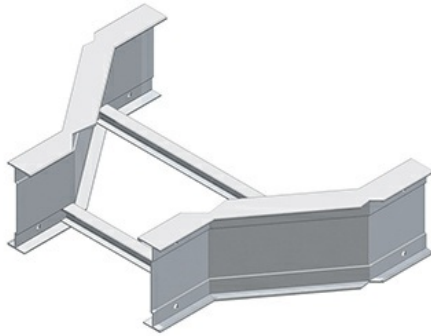




Cablofil
Horizontal Reducer Covers
Part No. P316173



The aluminum I-beam design of ITray is perfect for industrial installations with large diameter cables in long span situations, minimizing total tray width and creating a smooth transition between straight sections and fittings. A structural offset in the sidewall creates strong, mid-span splices that need fewer supports. Each splice snaps in place and stays without holding. Additionally, only four bolts are needed for each splice reducing hardware needs by 50%. These features allow Itray to be installed up to 30% faster than standard tray.

Features & Benefits

Material: Aluminum Alloy 5052 - H32

Finish: Plain

Width (W): Tray width: 6", 9", 12", 18", 24", 30", 36"

Specifications

General Info

| | | | |
|--------------|--------------|-------------------|--------|
| Product Line | Cablofil | Finish | AL |
| UPC Number | 800388220591 | Country Of Origin | Mexico |

Dimensions

| | | | |
|-------------------|-------------|-------------------|---------|
| Product Width US | 19.802 in | Product Weight US | 1.11 lb |
| Product Volume US | 0.103 cu ft | Product Depth US | 18.0 in |
| Product Height US | 0.5 in | | |

Buy American Act Compliance

| | |
|-----|-----|
| BAA | Yes |
|-----|-----|