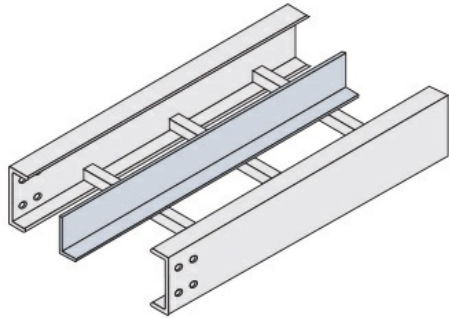




Cablofil
Straight Horizontal Divider
Part No. P600413



The aluminum I-beam design of ITray is perfect for industrial installations with large diameter cables in long span situations, minimizing total tray width and creating a smooth transition between straight sections and fittings. A structural offset in the sidewall creates strong, mid-span splices that need fewer supports. Each splice snaps in place and stays without holding. Additionally, only four bolts are needed for each splice reducing hardware needs by 50%. These features allow Itray to be installed up to 30% faster than standard tray.

Features & Benefits

Straight strips are for use with all straight tray

Specifications

General Info

Product Line	Cablofil	Finish	Stainless 316
UPC Number	800388524620	Country Of Origin	Mexico

Dimensions

Product Width US	0.875 in	Product Weight US	4.508 lb
Product Volume US	0.346 cu ft	Product Depth US	144.0 in
Product Height US	4.75 in		

Buy American Act Compliance

BAA	Yes
-----	-----