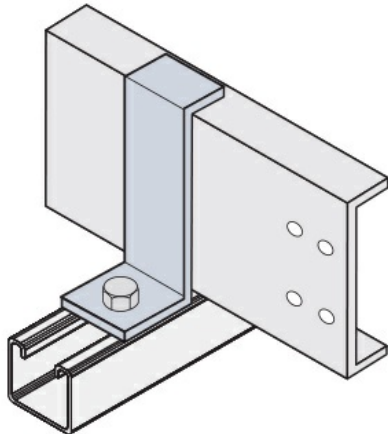




Cablofil  
**Fiberglass Z-Hold Down Clamp**  
Part No. P600417



For extremely corrosive applications we offer a full line of straight sections, fittings, covers and mounting accessories in polyester and vinylester fiberglass. Rail heights are available in 4" and 6" and widths are available up to 36".

## Features & Benefits

---

For use with fiberglass flange in trays

## Specifications

---

### General Info

---

Product Line	Cablofil	Finish	Other
Country Of Origin	United States		

---

### Dimensions

---

Product Weight US	0.318 lb
-------------------	----------

---