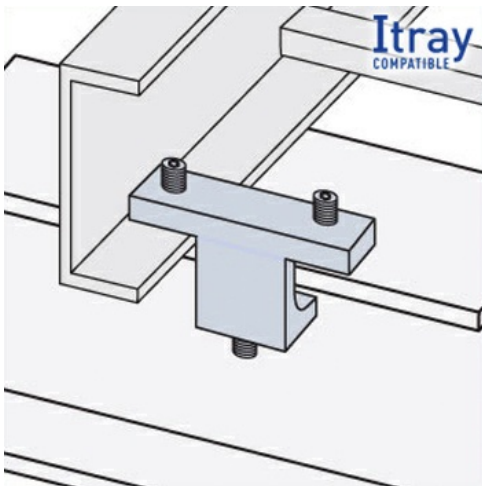




# Cablofil I-Beam Hold Down Clamp/Expansion Guide

Part No. P600425



The aluminum I-beam design of ITray is perfect for industrial installations with large diameter cables in long span situations, minimizing total tray width and creating a smooth transition between straight sections and fittings. A structural offset in the sidewall creates strong, mid-span splices that need fewer supports. Each splice snaps in place and stays without holding. Additionally, only four bolts are needed for each splice reducing hardware needs by 50%. These features allow Itray to be installed up to 30% faster than standard tray.

## Features & Benefits

Designed for use with all trays.

## Specifications

### General Info

Product Line	Cablofil	Finish	Electrozinc
UPC Number	800388524675	Country Of Origin	Mexico

### Dimensions

Product Width US	3.0 in	Product Weight US	0.72 lb
Product Volume US	0.01 cu ft	Product Depth US	2.0 in
Product Height US	2.865 in		