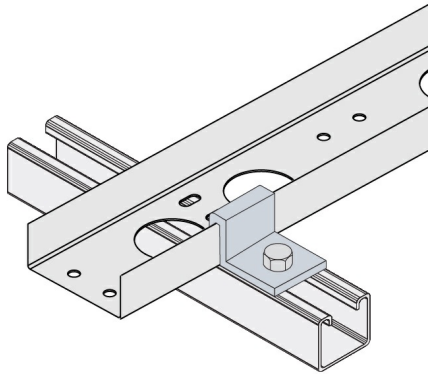




Cablofil
T-1870 Hold Down Clamp Kit No Hdw
Part No. P600446



Choose from an extensive selection of metallic ladder tray with a variety of rung and bottom styles to choose from. Finishes include steel, 304L and 316L stainless steel to meet the needs of any application. Rail heights range from 4" to 7" and width sizes are available up to 36".

Features & Benefits

Stainless cover clip for flange out and I beam trays

Specifications

General Info

Product Line	Cablofil	Finish	Stainless 316
UPC Number	800388524705	Country Of Origin	Mexico
Application Sector	Commercial, Industrial	Type	Accessories

Dimensions

Product Weight US	0.22 lb
-------------------	---------

Trade Programs

BAA	Yes
-----	-----