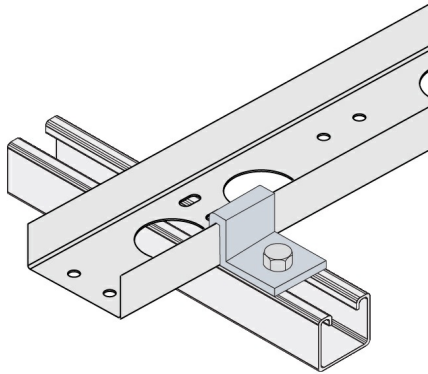




Cablofil
G-1870 Hold Down Clamp Kit No Hdw
Part No. P603804



Choose from an extensive selection of metallic ladder tray with a variety of rung and bottom styles to choose from. Finishes include steel, 304L and 316L stainless steel to meet the needs of any application. Rail heights range from 4" to 7" and width sizes are available up to 36".

Features & Benefits

Clamp only

Specifications

General Info

Product Line	Cablofil	Finish	Hot Dipped Galvanized after Fabrication
UPC Number	800388526396	Country Of Origin	Mexico
Application Sector	Commercial, Industrial	Type	Accessories

Dimensions

Product Weight US 0.503 lb

Trade Programs

BAA Yes
