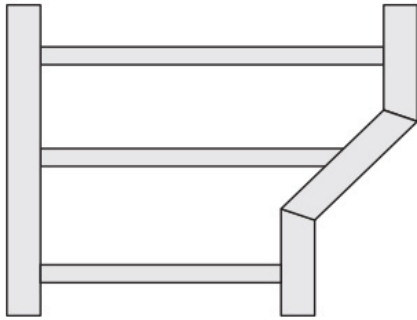




Cablofil  
LD-7625-0830-24 FG RIGHT HAND REDUCER 30/24W  
Part No. P603861



The aluminum I-beam design of ITray is perfect for industrial installations with large diameter cables in long span situations, minimizing total tray width and creating a smooth transition between straight sections and fittings. A structural offset in the sidewall creates strong, mid-span splices that need fewer supports. Each splice snaps in place and stays without holding. Additionally, only four bolts are needed for each splice reducing hardware needs by 50%. These features allow Itray to be installed up to 30% faster than standard tray.

## Features & Benefits

Material: Pultruded from Glass Fiber Reinforced Fire Retardant Polyester Resin

Finish: Plain

Bottom: Ldr = 1" square tube rung

Tray Design: Tray construction and markings

Connectors: Supplied in pairs with hardware

## Specifications

### General Info

Product Line	Cablofil	Finish	Other
UPC Number	800388526532	Country Of Origin	United States

### Dimensions

Product Weight US	2.28 lb	Product Height US	6.0 in
-------------------	---------	-------------------	--------

### Buy American Act Compliance

BAA	Yes
-----	-----